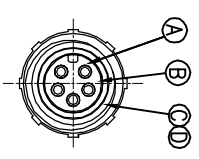
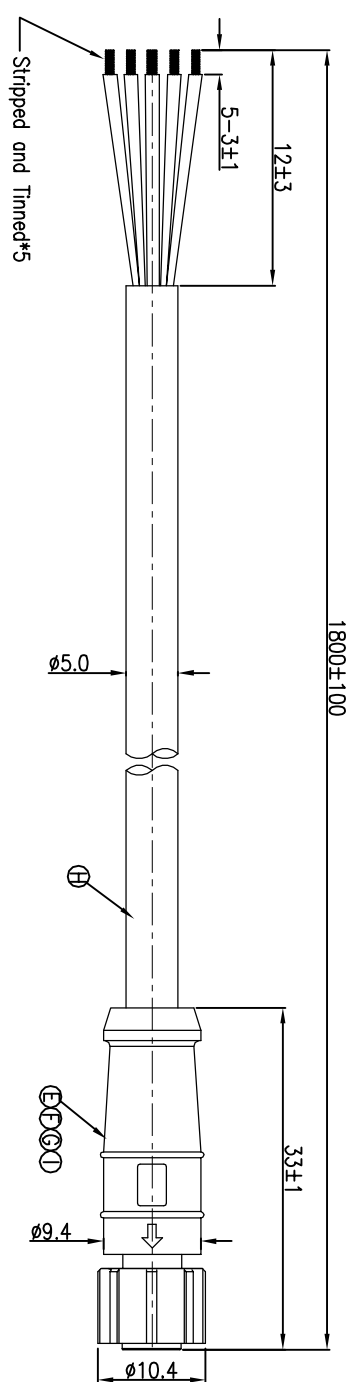
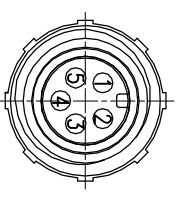


| REV. | ECN NO OR DESCRIPTION | REVISED | DATE |
|------|-----------------------|---------|------------|
| A | PDR NO.:T141222-20A | Vicky | 2016.05.20 |



WATERPROOF RATE: IP67

| | |
|-------------------|--------|
| 5 | PINK |
| 4 | WHITE |
| 3 | BLUE |
| 2 | GREEN |
| 1 | YELLOW |
| CONN1. WIRE COLOR | |
| PIN OUT | |
| CONN. | |



- NOTES:
1. WATERPROOF RATE: IP67
IP67: IMMERSED IN 1M WATER FOR 30 MINUTES
 2. ELECTRICAL CHARACTERISTICS
TEMPERATURE RANGE: -40°C TO +80°C
RATING: 60V AC/DC 2A
 3. SPECIFICATIONS:SEE "M8 SERIES SPECIFICATIONS".
 4. TO CONFORM TO SINGATRON HAZARDOUS SUBSTANCE FREE SPEC.
 5. GREEN PRODUCT IDENTIFICATION LABEL ON PACKAGING:

| | | | | |
|--|-------------|-------------------------|------------------------------------|---|
| I | INNER MOLD | 1 | TPU | NATURAL |
| H | CABLE | 1 | UL2464 24#*5C+AL UV OD=Ø5.0 | WHITE(PVC JACKET) |
| G | UV GLUE | 1 | N/A | NATURAL |
| F | SHRINK TUBE | 5 | Ø1.5*7mm | BLACK |
| E | OVER MOLD | 1 | 羅拔漆 TPU DP83095A 色粉 SZXY-88247# | WHITE(UV329) |
| D | O-RING | 1 | VITON | RED |
| C | SCREW NUT | 1 | PA66+25%GF | WHITE |
| B | FEMALE PIN | 5 | Phosphor Bronze | 1u" GOLD PLATING OVER NICKEL PLATING |
| A | BODY | 1 | TPU(SZXY-88247#色粉) | WHITE |
| NO | DESCRIPTION | QTY | MATERIAL | PLATING & COLOR |
| UNLESS OTHERWISE SPECIFIED TOLERANCES | | | | |
| Singatron Enterprise Co., Ltd. 信營企業股份有限公司 | | | | |
| DECIMALS: | ANGLES: | | | |
| X : ±0.5 | X : ±2° | | | |
| X.X : ±0.3 | X.X : ±1' | | | |
| X.XX : ±0.2 | | | | |
| TITLE: M8 SERIES FEMALE CONN. (5PIN) | | | | |
| DWN | Vicky | PART NO.2MB3010-705234H | | |
| CHKD | Harlen | SCALE 2:1 | UNIT: mm | |
| APVD | Steve | SIZE: A3 | SHEET:1 OF 1 | REV: A |
| CUSTOMER COPY | | | | |