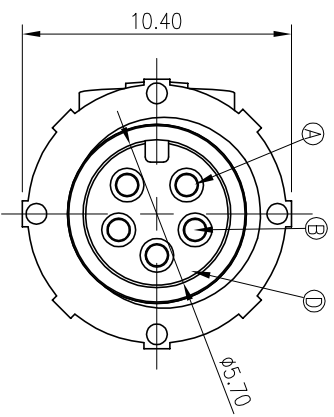
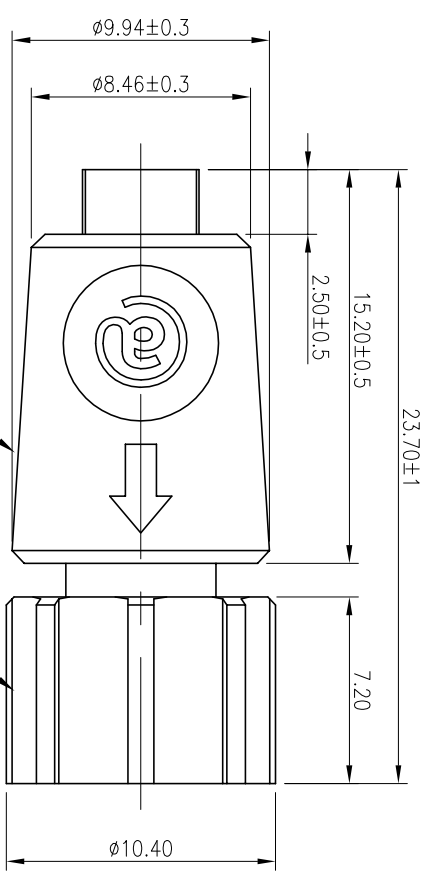
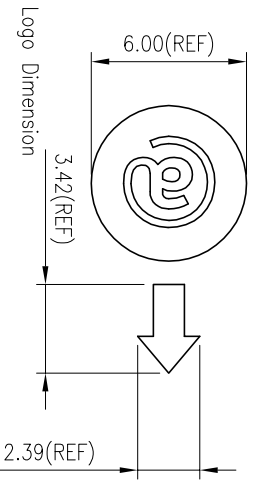
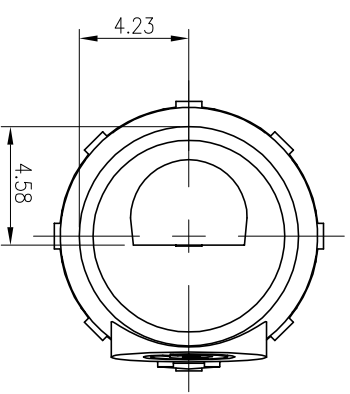
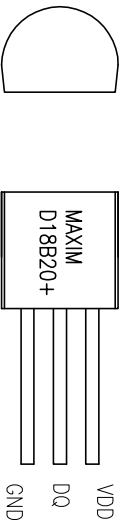


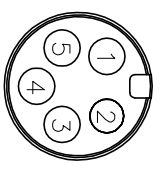
REV.	EGN NO.	OR DESCRIPTION	REVISED	DATE
A	PDR:NO:1141222-21A	Yang	2016.07.21	



5	GND
4	DQ
3	VDD
2	W/O
1	W/O
CONN	SENSOR



- NOTES:
1. WATERPROOF RATE: IP67
IP67: IMMERSED IN 1M WATER FOR 30 MINUTES
 2. TEST CONDITIONS:
 3. SPECIFICATIONS:SEE "M12 SERIES SPECIFICATIONS".
 4. TO CONFORM TO SINGATRON HAZARDOUS SUBSTANCE FREE SPEC.
 5. GREEN PRODUCT IDENTIFICATION LABEL ON PACKAGING:
 6. TEMPERATURE RANGE:-40°C TO +80°C



PIN ASSIGNMENTS
FRONT VIEW

G	SENSOR	1	MAXIM 18B20 Temperature Sensor	NATURAL
F	INNER MOLD	1	TPU	NATURAL
E	OVER MOLD	1	總廠 TPU DP83095A 號: SZXY-88247#	WHITE
D	O-RING	1	VITON	RED
C	SCREW NUT	1	NYLON+GF	WHITE
B	FEMALE PIN	5	Phosphor Bronze	GOLD PLATING OVER NICKEL PLATING
A	BODY	1	TPU(SZXY-88247#)	WHITE

UNLESS OTHERWISE SPECIFIED TOLERANCES		Singatron Enterprise Co., Ltd. 信登企業股份有限公司	
TITLE	M8 Type Temperature Sensor		
DWN	Yang	PART NO.	2ME3010-W05235H
CHKD	Harlen	SCALE	5:1
APVD	Steve	SIZE	A3
		SHEET	1 OF 1
		REV	A

DECIMALS:	:±0.5	ANGLES:	X :±2°
	X.X :±0.3		X.X :±1°
	X.XX :±0.2		

CUSTOMER COPY