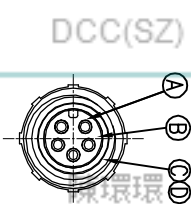
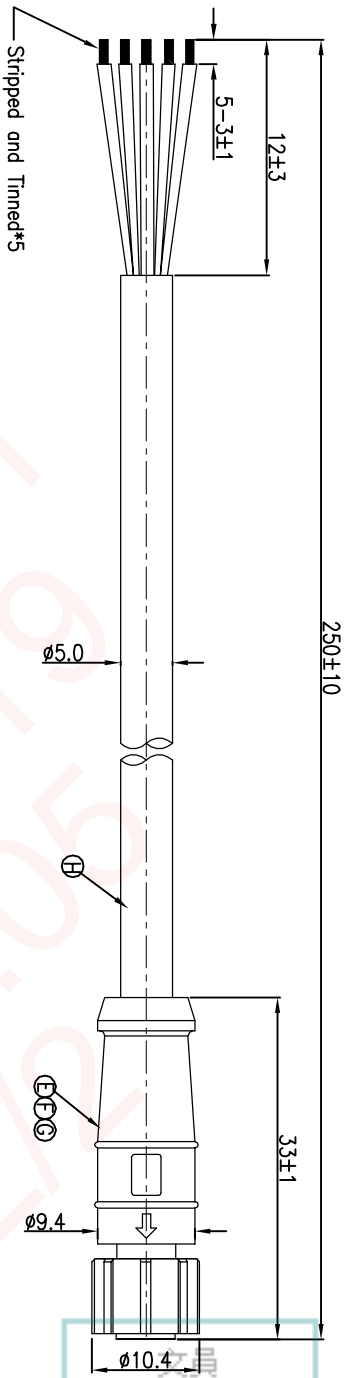


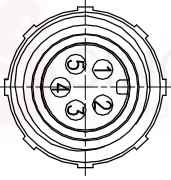
REV.	ECN NO	OR DESCRIPTION	REVISED	DATE
A	PDR NO.:T150818-2A		Vicky	2015.08.18



CONN.  
WATERPROOF RATE: IP67

5	YELLOW
4	WHITE
3	BLACK
2	RED
1	GREY

CONN1.  
WIRE COLOR



PIN ASSIGNMENTS  
FRONT VIEW

- NOTES:
1. WATERPROOF RATE: IP67  
IP67: IMMersed IN 1M WATER FOR 30 MINUTES
  2. ELECTRICAL CHARACTERISTICS  
TEMPERATURE RANGE: -20°C TO +80°C  
RATING: 60V AC/DC 2A
  3. SPECIFICATIONS: SEE "M8 SERIES SPECIFICATIONS".
  4. TO CONFORM TO SINGATRON HAZARDOUS SUBSTANCE FREE SPEC.
  5. GREEN PRODUCT IDENTIFICATION LABEL ON PACKAGING:

NO	DESCRIPTION	QTY	MATERIAL	PLATING & COLOR
A	BODY	1	TPU	BLACK
B	FEMALE PIN	5	Phosphor Bronze	1u" GOLD PLATING OVER NICKEL PLATING
C	SCREW NUT	1	PA66+25%GF	BLACK
D	O-RING	1	VITON	RED
E	OVER MOLD	1	TPU	BLACK
F	SHRINK TUBE	5	φ1.5*7mm	BLACK
G	UV GLUE	1	N/A	NATURAL
H	CABLE	1	UL2464 24#*SC+AL,UV φ5.0(-20°C TO +80°C)	BLACK(PVC JACKET)

UNLESS OTHERWISE SPECIFIED TOLERANCES	
DECIMALS:	ANGLES:
X :±0.5	X :±2°
X.X :±0.3	X.X :±1°
X.XX :±0.2	

Singatron Enterprise Co., Ltd.  
信登企業股份有限公司

TITLE M8 SERIES FEMALE CONN. (5PIN)

DWN Vicky PART NO. 2ME3010-W05240H

CHKD Harlen SCALE 2:1 UNIT: mm

APVD Steve SIZE: A3 SHEET: 1 OF 1 REV: A

CUSTOMER COPY