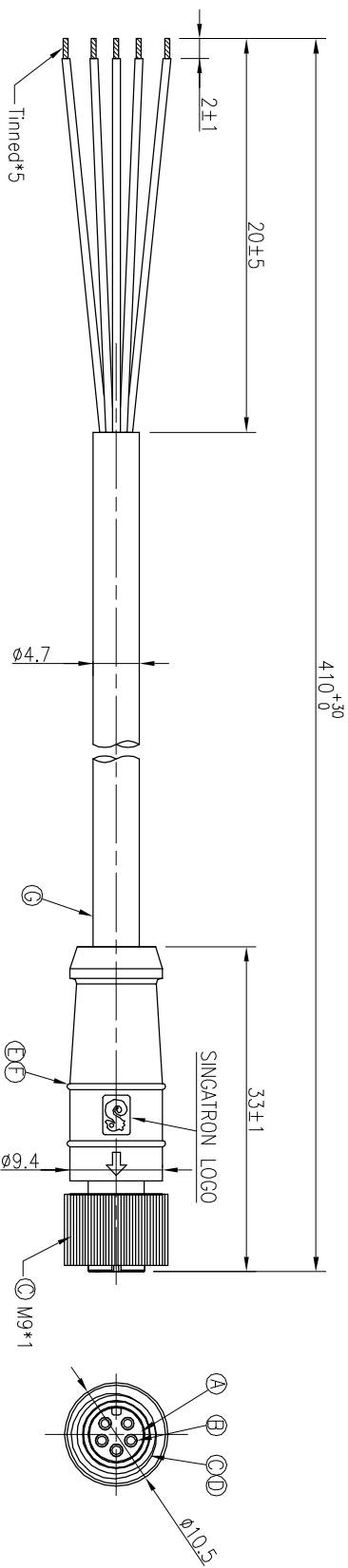
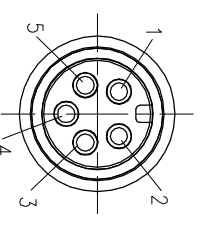


REV.	ECN NO.	OR DESCRIPTION	REVISED	DATE
A	PDR NO.:	S151230-9A	Vicky	2015.11.06



CONN.

5	YELLOW
4	BLUE
3	WHITE
2	GREEN
1	BLACK
CONN.	WIRE COLOR



PIN ASSIGNMENTS
FRONT VIEW

- NOTES:
- ELECTRICAL CHARACTERISTICS:
 - 1-1 CURRENT RATING: 2 AMPS.
 - 1-2 CONTACT RESISTANCE: 3 Ohm Max.
 - 1-3 INSULATION RESISTANCE: 100 MOhm MIN. AT 500VDC.
 - 1-4 BREAKDOWN VOLTAGE: 500 VAC PER MINUTE.
 - ENVIRONMENTAL:
 - 2-1 OPERATING TEMPERATURE: -20°C TO +80°C.
 - 2-2 SEALING REQUIREMENTS: IP65.
 - LIFE TEST: 1,000 CYCLES MIN.
 - OTHER GENERAL SPEC. TO REFER "M8 SERIES SPEC."
 - FOR TECHNICAL DATA REFER TO YOUR LOCAL SINGATRON ELECTRONICS SALES OFFICE.
 - ALL DIMENSIONS ARE NOMINAL FOR REFERENCE ONLY UNLESS OTHERWISE STATED.
 - TO CONFORM TO SINGATRON HAZARDOUS SUBSTANCE FREE SPEC.
 - GREEN PRODUCT IDENTIFICATION LABEL ON PACKAGING: **RoHS**.

G	CABLE	1	NONUL 24#*SC+AL+FF OD4.7(PVC JACKET)	BLACK
F	SHRINK TUBE	5	Ø1.5*7mm	BLACK
E	OVER MOLD	1	TPU	BLACK
D	O-RING	1	VITON	RED
C	NUT	1	COPPER ALLOY	NICKEL PLATING
B	FEMALE PIN	5	COPPER ALLOY	6u" GOLD PLATING OVER NICKEL PLATING
A	BODY	1	TPU(1164D)	BLACK

NO	DESCRIPTION	QTY	MATERIAL	PLATING & COLOR
UNLESS OTHERWISE SPECIFIED TOLERANCES				
Singatron Enterprise Co., Ltd. 信普企業股份有限公司				

DECIMALS:	ANGLES:
X : ±0.5	X : ±2°
X.X : ±0.3	X.X : ±1°
X.XX : ±0.2	

TITLE	M8 SERIES FEMALE CONN. (5PIN)
DWN	Vicky
CHKD	Horten
APVD	Steve
PART NO.	2ME3010-W05243H
SCALE	2:1
UNIT	mm
SIZE	A3
SHEET	1 OF 1
REV.	A

CUSTOMER COPY