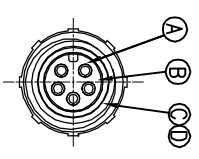
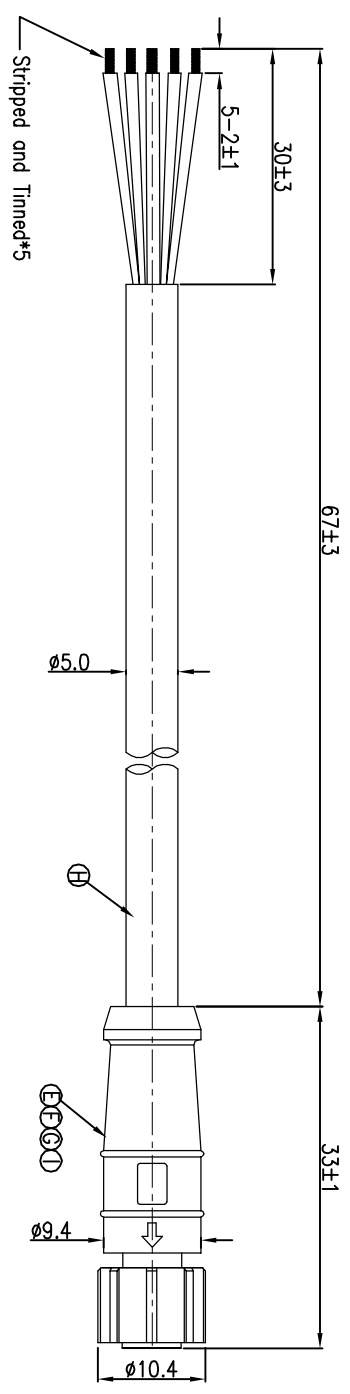
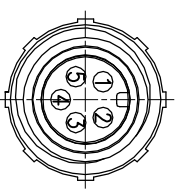


REV.	ECN NO OR DESCRIPTION	REVISED	DATE
A	PDR NO.:T160704-7A	Vicky	2016.07.06



CONN.
WATERPROOF RATE: IP67

5	PINK
4	WHITE
3	BLUE
2	GREEN
1	YELLOW
CONN1. WIRE COLOR	
PIN OUT	
CONN.	



PIN ASSIGNMENTS
FRONT VIEW

- NOTES:
1. WATERPROOF RATE: IP67
IP67: IMMersed IN 1M WATER FOR 30 MINUTES
 2. ELECTRICAL CHARACTERISTICS
TEMPERATURE RANGE: -40°C TO +80°C
RATING: 60V AC/DC 2A
 3. SPECIFICATIONS:SEE "M8 SERIES SPECIFICATIONS".
 4. TO CONFORM TO SINGATRON HAZARDOUS SUBSTANCE FREE SPEC.
 5. GREEN PRODUCT IDENTIFICATION LABEL ON PACKAGING:

NO	DESCRIPTION	QTY	MATERIAL	PLATING & COLOR
I	INNER MOLD	1	TPU	NATURAL
H	CABLE	1	UL2464 24#*SC+AL UV OD=5.0	WHITE(PVC JACKET)
G	UV GLUE	1	N/A	NATURAL
F	SHRINK TUBE	5	φ1.5*7mm	BLACK
E	OVER MOLD	1	輔助漆:TPU DP83095A 色粉 SZXY-88247#	WHITE(UV329)
D	O-RING	1	VITON	RED
C	SCREW NUT	1	PA66+25%GF	WHITE
B	FEMALE PIN	5	Phosphor Bronze	1u" GOLD PLATING OVER NICKEL PLATING
A	BODY	1	TPU(SZXY-88247#色粉)	WHITE

UNLESS OTHERWISE SPECIFIED TOLERANCES

DECIMALS:	ANGLES:
X :±0.5	X :±2°
X.X :±0.3	X.X :±1°
X.XX :±0.2	

Singatron Enterprise Co., Ltd.
信譽企業股份有限公司

TITLE: M8 SERIES FEMALE CONN. (5PIN)
DWG: Vicky
CHKD: Horlen
APVD: Steve

PART NO.:2ME3010-W05240H
SCALE 2:1
SIZE: A3
SHEET:1 OF 1
REV: A

CUSTOMER COPY