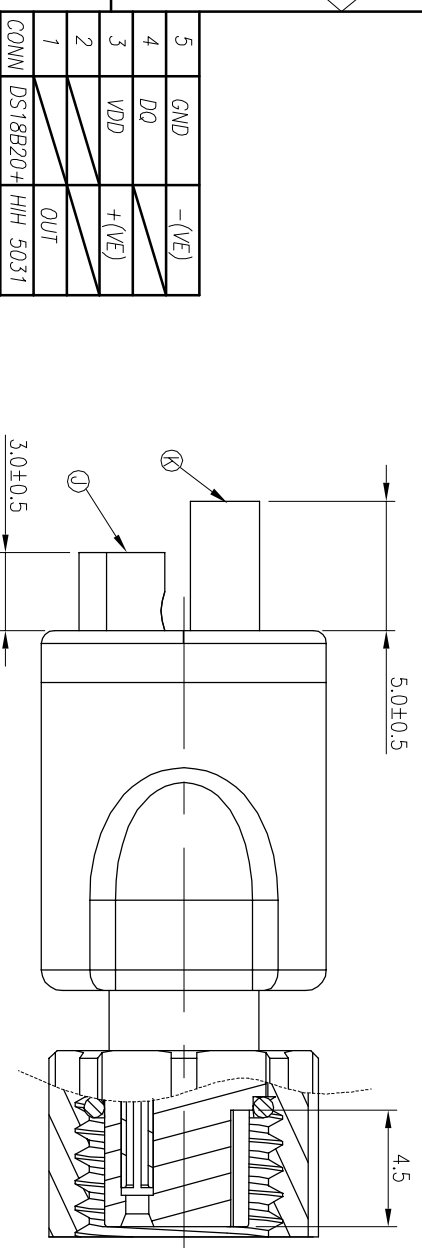
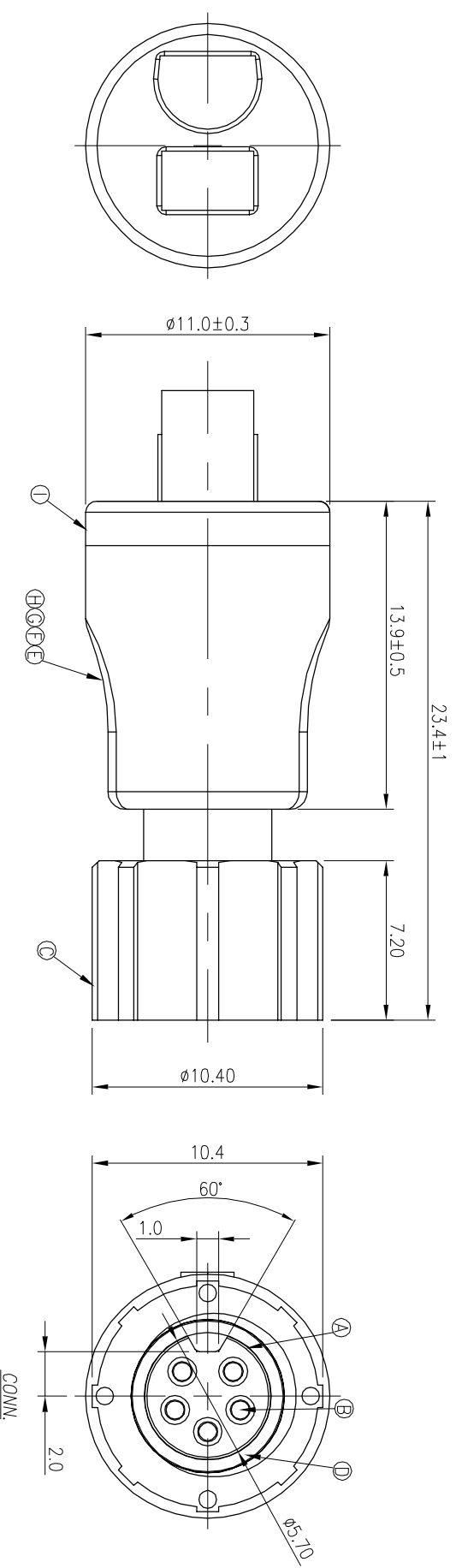
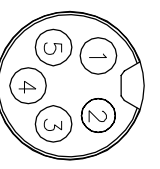


REV.	ECN NO.	OR DESCRIPTION	REVISED	DATE
A		PDR NO.: T180130-3A	JF	2019.06.20



5	GND	-(VE)
4	DQ	
3	VDD	+(VE)
2		
1		OUT
CONN		DS18B20+ HIH 5031

PIN OUT
CONN.



PIN ASSIGNMENTS
FRONT VIEW

- NOTES:
1. WATERPROOF RATE: IP67
IP67: IMMERSED IN 1M WATER FOR 30 MINUTES
 2. SPECIFICATIONS: SEE "M12 SERIES SPECIFICATIONS".
 3. TO CONFORM TO SINGATRON HAZARDOUS SUBSTANCE FREE SPEC.
 4. GREEN PRODUCT IDENTIFICATION LABEL ON PACKAGING:
 5. TEMPERATURE RANGE: -40°C TO +80°C

K	HUMIDITY SENSOR	1	HIH 5031	BLACK
J	TEMPERATURE SENSOR	1	DS18B20+	BLACK
I	COVER	1	PA66+GF	WHITE
H	LIQUID GLUE	1	N/A	BLACK
G	PCB	1	FR-4	GREEN
F	INNER MOLD	1	TPU	NATURAL
E	OVER MOLD	1	TPU DP83095A 物料: SZXY-88302#	WHITE
D	O-RING	1	VITON	RED
C	SCREW NUT	1	PA66+GF	WHITE
B	FEMALE PIN	5	Phosphor Bronze	GOLD PLATING OVER NICKEL PLATING
A	BODY	1	TPU(SZXY-88247#)	WHITE
NO	DESCRIPTION	QTY	MATERIAL	PLATING & COLOR

UNLESS OTHERWISE SPECIFIED TOLERANCES

DECIMALS:	ANGLES:
X :±0.5	X :±2°
X.X :±0.3	X.X :±1°
X.XX :±0.2	

TITLE	M8 Type Sensor
DWN	JF
CHKD	Cerry
APVD	William
SCALE 5:1 UNIT: mm	
SIZE: A3 SHEET: 1 OF 1 REV: A	

Singatron Enterprise Co., Ltd.
信登企業股份有限公司

CUSTOMER COPY