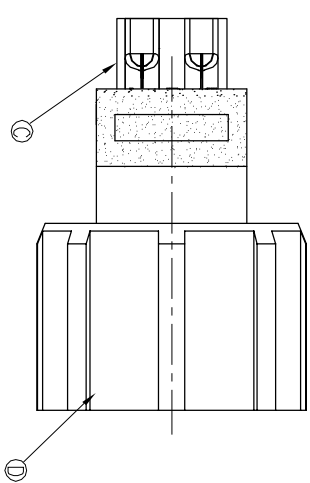
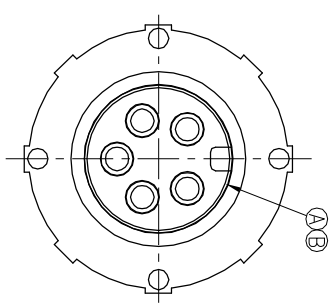
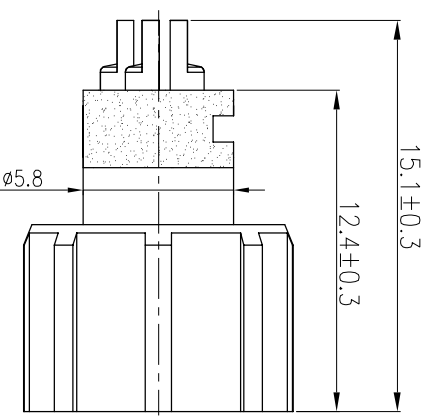
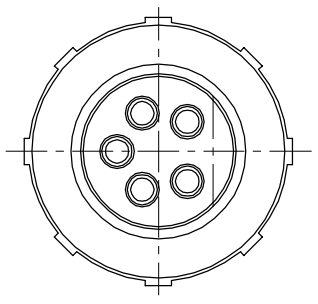


REV.	ECN NO.	OR DESCRIPTION	REVISED	DATE
A	PDR NO.:	TT80306-2A	JF	2019.06.24



- NOTES:
1. WATERPROOF RATE: IP67(WHEN PROPERLY MATED)
 2. INSULATION RESISTANCE: 100M Ohm Min. BY 500 VDC
 3. TEMPERATURE RANGE: -40°C TO +105°C
 4. SPECIFICATIONS:SEE "M8 SERIES SPECIFICATIONS".
 5. TO CONFORM TO SINGATRON HAZARDOUS SUBSTANCE FREE SPEC.
 6. TO CONFORM TO IEC61076-2-104 SPEC.
 7. GREEN PRODUCT IDENTIFICATION LABEL ON PACKAGING:

D	SCREW NUT	1	PA66	WHITE
C	FEMALE PIN	5	Phosphor Bronze	GOLD PLATING OVER NICKEL PLATING
B	O-RING	1	VITON	RED
A	BODY	1	TPU	WHITE
NO	DESCRIPTION	QTY	MATERIAL	PLATING & COLOR
UNLESS OTHERWISE SPECIFIED TOLERANCES				
Singatron Enterprise Co., Ltd. 信譽企業股份有限公司				
TITLE		M8 SERIES FEMALE CONN.(5A)		
DWN	JF	PART NO.:	2MB3010-W05261H	
CHKD	Cerry	SCALE	4:1	UNIT: mm
APVD	William	SIZE:	A3	SHEET: 1 OF 1
REV: A				

CUSTOMER COPY