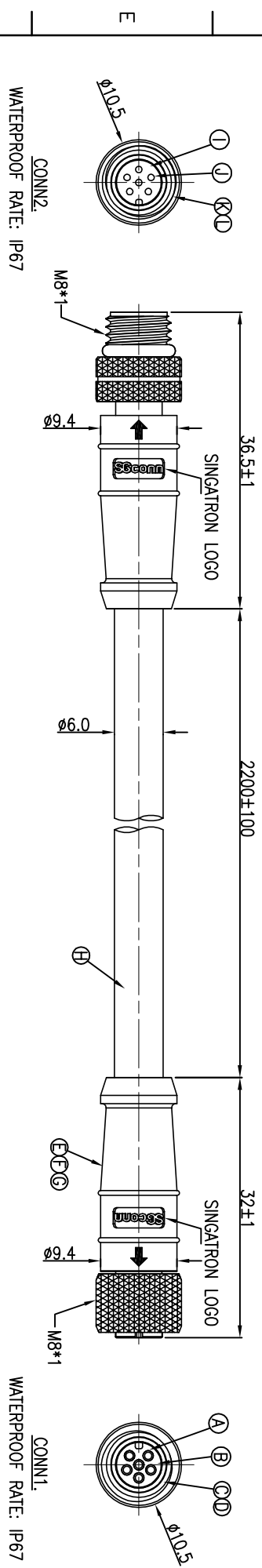
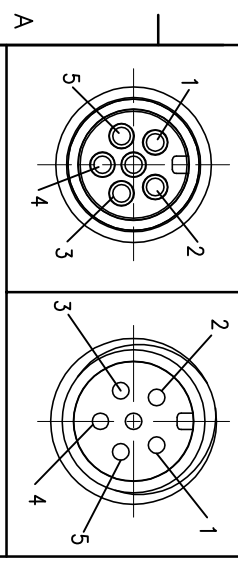


REV.	E/CN NO	OR DESCRIPTION	REVISED	DATE
A	PDR NO.:S110603-4C		Shown	2011.12.27
B	E/CN NO.:S121233		Shown	2012.12.17
C	E/CN NO.:S140947		YF	2014.09.19



6	GREEN	6
5	YELLOW	5
4	ORANGE	4
3	RED	3
2	BROWN	2
1	BLACK	1
CONN1. WIRE COLOR		CONN2.
PIN OUT		



- NOTES:
1. WATERPROOF RATE: IP67
IP67: IMMersed IN 1M WATER FOR 30 MINUTES
 2. ELECTRICAL CHARACTERISTICS
TEMPERATURE RANGE: -20°C TO +80°C
RATING: 60V AC/DC 2A
 3. SPECIFICATIONS: SEE "M8 SERIES SPECIFICATIONS".
 4. TO CONFORM TO SINGATRON HAZARDOUS SUBSTANCE FREE SPEC.
 5. GREEN PRODUCT IDENTIFICATION LABEL ON PACKAGING:

NO	DESCRIPTION	QTY	MATERIAL	PLATING & COLOR
L	O-RING	1	VITON	BLACK
K	SCREW NUT	1	Brass	NICKEL PLATING 60u"
J	MALE PIN	6	Brass	1~3u" GOLD PLATING OVER NICKEL PLATING
I	BODY	1	TPU	BLACK
H	CABLE	1	UL2464 24#*6C+AL UV OD=6.0	BLACK(PVC90P JACKET)
G	UV GLUE	1	N/A	NATURAL
F	SHRINK TUBE	12	φ1.5*7mm	BLACK
E	OVER MOLD	2	TPU	BLACK
D	O-RING	1	VITON	RED
C	SCREW NUT	1	Brass	NICKEL PLATING 60u"
B	FEMALE PIN	6	Phosphor Bronze	6u" GOLD PLATING OVER NICKEL PLATING
A	BODY	1	TPU	BLACK

UNLESS OTHERWISE SPECIFIED TOLERANCES

DECIMALS:	ANGLES:
X :±0.5	X :±2°
X.X :±0.3	X.X :±1°
X.XX :±0.2	

Singatron Enterprise Co., Ltd.
信譽企業股份有限公司

TITLE: M8 SERIES F CONN + M CONN(6PIN)

DWN YF PART NO. 2ME3010-W06200H

CHKD JF SCALE 2:1 UNIT: mm

APVD Harlen SIZE: A3 SHEET: 1 OF 1 REV: C

CUSTOMER COPY