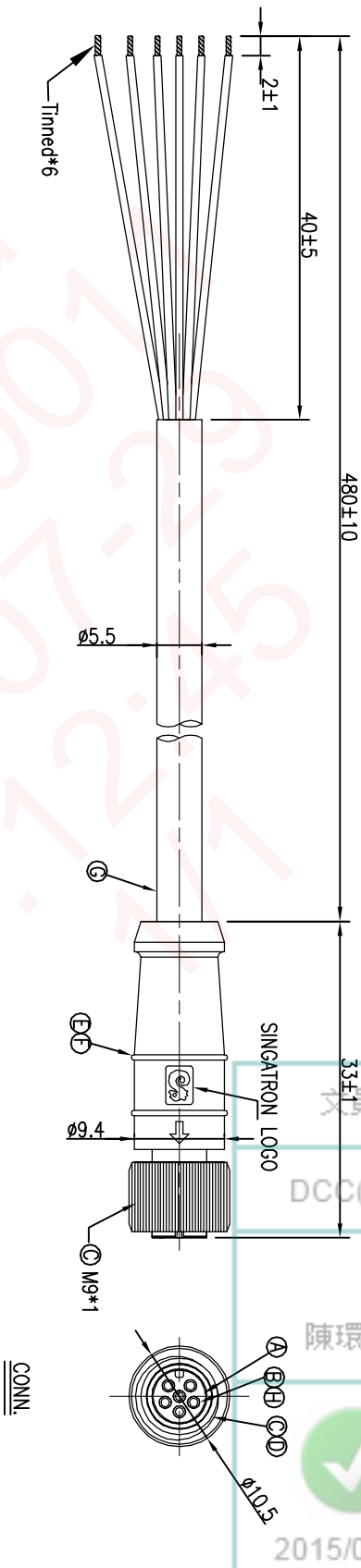
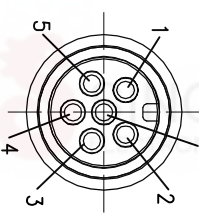


REV.	E/CN NO.	OR DESCRIPTION	REVISED	DATE
A	PDR NO.:	S140723-5A	YF-Y00	2014.09.22
B	E/CN NO.:	S150553-C	Lin	2015.05.27
C	E/CN NO.:	S150749-C	Vicky	2015.07.23



6	BROWN
5	YELLOW
4	BLUE
3	WHITE
2	GREEN
1	BLACK
CONN.	WIRE COLOR



- NOTES:
1. WATERPROOF RATE: IP65
 2. ELECTRICAL CHARACTERISTICS
TEMPERATURE RANGE: -20°C TO +80°C
RATING: 60V AC/DC 2A
 3. SPECIFICATIONS: SEE "M8 SERIES SPECIFICATIONS".
 4. TO CONFORM TO SINGATRON HAZARDOUS SUBSTANCE FREE SPEC.
 5. GREEN PRODUCT IDENTIFICATION LABEL ON PACKAGING:

PIN ASSIGNMENTS
FRONT VIEW

NO	DESCRIPTION	QTY	MATERIAL	PLATING & COLOR
A	BODY	1	PPE	BLACK
B	FEMALE PIN	6	Phosphor Bronze	6u" GOLD PLATING OVER NICKEL PLATING
C	NUT	1	C3604	NICKEL PLATING
D	O-RING	1	VITON	RED
E	OVER MOLD	1	TPU	BLACK
F	SHRINK TUBE	6	Ø1.5*7mm	BLACK
G	CABLE	1	UL2464 24#*6C+AL ØD5.5 UV	BLACK(PVC JACKET)
H	FEMALE PIN	1	Phosphor Bronze	1u" Gold Plating Over Nickel Plating

UNLESS OTHERWISE SPECIFIED TOLERANCES

DECIMALS: ANGLES:

X.XX :±0.2 X.XX :±0.3 X.XX :±0.5 X.XX :±1° X.XX :±0.2

Singatron Enterprise Co., Ltd.
信譽企業股份有限公司

TITLE: M8 SERIES MALE CONN. (SPIN)

DWN: Vicky PART NO.: 2ME3010-W06224H

CHKD: Harlen SCALE: 2:1 UNIT: mm

APVD: Steve SIZE: A3 SHEET: 1 OF 1 REV: C

CUSTOMER COPY