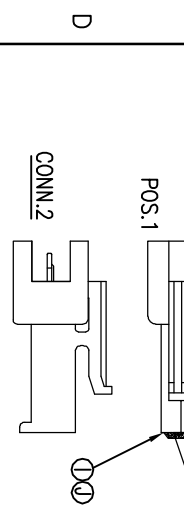
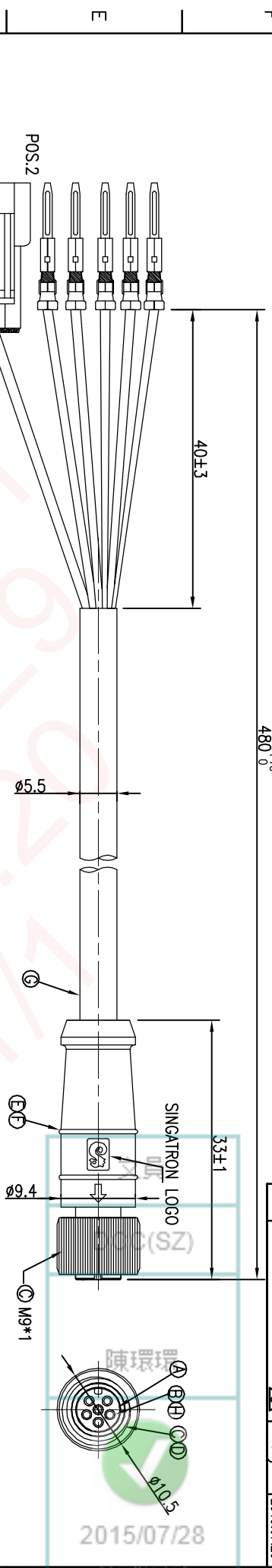
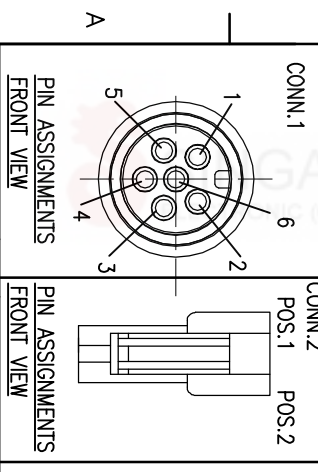


REV.	ECON NO.	OR DESCRIPTION	REVISION	DATE
A	PDR NO.:	S150114-12A	Wcky	2015.01.05
B	ECON NO.:	S150553-C	Lin	2015.05.27
C	ECON NO.:	S150749-C	Wcky	2015.07.23



CONN.1	WIRE COLOR	CONN.2
1	BLACK	
2	GREEN	
3	WHITE	
4	BLUE	
5	YELLOW	
6	BROWN	1



NOTES:

1. WATERPROOF RATE: IP65
2. ELECTRICAL CHARACTERISTICS TEMPERATURE RANGE: -20°C TO +80°C RATING: 60V AC/DC 2A
3. SPECIFICATIONS: SEE "M8 SERIES SPECIFICATIONS."
4. TO CONFORM TO SINGATRON HAZARDOUS SUBSTANCE FREE SPEC.
5. GREEN PRODUCT IDENTIFICATION LABEL ON PACKAGING:

J	THERMAL GLUE	1	N/A	WHITE
I	CONNACTOR	6	JWT C2521TTO*-2	TIN PLATING
		1	JWT C2521H02-2P	BLACK
H	FEMALE PIN	1	Phosphor Bronze	1u" Gold Plating Over Nickel Plating
G	CABLE	1	UL2464 24#*6C+AL OD5.5 UV	BLACK(PVC JACKET)
F	SHRINK TUBE	6	φ1.5*7mm	BLACK
E	OVER MOLD	1	TPU	BLACK
D	O-RING	1	VITON	RED
C	NUT	1	C3604	NICKEL PLATING
B	FEMALE PIN	5	Phosphor Bronze	6u" GOLD PLATING OVER NICKEL PLATING
A	BODY	1	PPE	BLACK
NO	DESCRIPTION	QTY	MATERIAL	PLATING & COLOR

UNLESS OTHERWISE SPECIFIED TOLERANCES

DECIMALS:	ANGLES:
X :±0.5	X :±2°
X.X :±0.3	X.X :±1°
X.XX :±0.2	

TITLE: M8 SERIES FEMALE CONN. (6PIN)  
 Singatron Enterprise Co., Ltd.  
 信晉企業股份有限公司

DATE: 2015/07/28

CUSTOMER COPY