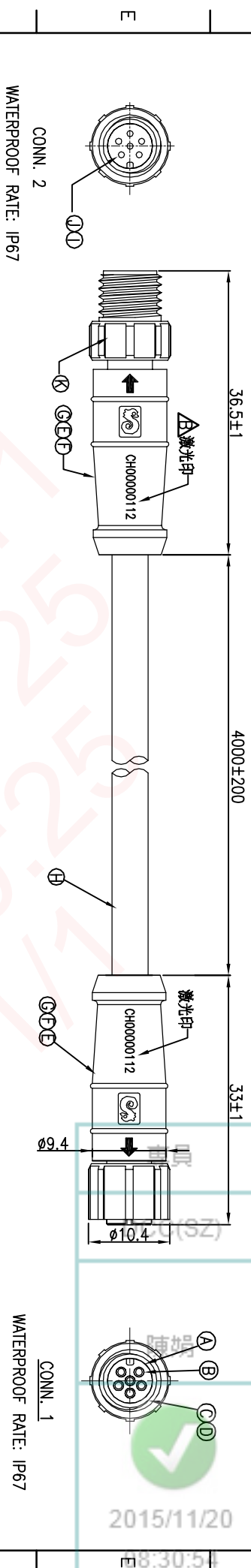
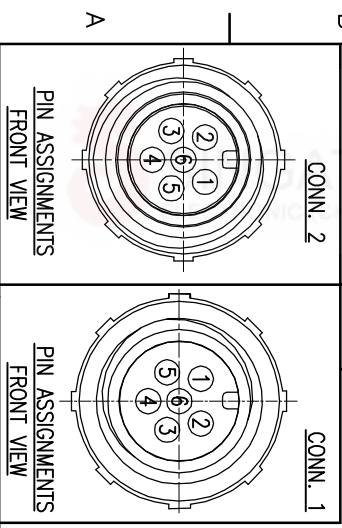


REV.	ECN NO.	OR DESCRIPTION	REVISED	DATE
A	PDR NO.:	T150109-4B	Vicky	2015.01.09
B	ECN NO.:	S151130-RA	Vicky	2015.11.18



6	GREEN	6
5	YELLOW	5
4	ORANGE	4
3	RED	3
2	BROWN	2
1	BLACK	1
CONN.2 WIRE COLOR		CONN.1
PIN OUT		



NOTES:

1 ELECTRICAL CHARACTERISTICS:
 1-1 CURRENT RATING: 2 AMPS.
 1-2 CONTACT RESISTANCE: 3 Ohm Max.
 1-3 INSULATION RESISTANCE: 100 Mohm Min. at 500VDC.
 1-4 BREAKDOWN VOLTAGE: 500 VAC PER MINUTE.

2 ENVIRONMENTAL:
 2-1 OPERATING TEMPERATURE: -20°C TO +80°C.
 2-2 SEALING REQUIREMENTS: IP67.

3. LIFE TEST: 1,000 CYCLES MIN.

4. OTHER GENERAL SPEC. TO REFER "M8 SENSOR CONNECTOR SERIES SPEC."
 5. FOR TECHNICAL DATA REFER TO YOUR LOCAL SINGATRON ELECTRONICS SALES OFFICE.

6. ALL DIMENSIONS ARE NOMINAL FOR REFERENCE ONLY UNLESS OTHERWISE STATED.

7. TO CONFORM TO SINGATRON HAZARDOUS SUBSTANCE FREE SPEC.

8. GREEN PRODUCT IDENTIFICATION LABEL ON PACKAGING:

NO	DESCRIPTION	QTY	MATERIAL	PLATING & COLOR
K	MALE SCREW NUT	1	PA66+33%GF	BLACK
J	MALE BODY	1	TPU	BLACK
I	MALE PIN	6	BRASS	6u" GOLD PLATING OVER NICKEL PLATING
H	CABLE	1	UL2464 28#*6C+AL UV OD=4.6	BLACK(PVC70P JACKET)
G	UV GLUE	2	8860	NATURAL
F	HEAT SHRINK TUBE	12	φ1.5*7mm 125° 300V	BLACK
E	OVER MOLD	2	TPU	BLACK
D	O-RING	1	VITON	RED
C	FEMALE SCREW NUT	1	PA66+33%GF	BLACK
B	FEMALE PIN	6	Phosphor Bronze	1~3u" GOLD PLATING OVER NICKEL PLATING
A	FEMALE BODY	1	TPU	BLACK
NO	DESCRIPTION	QTY	MATERIAL	PLATING & COLOR

UNLESS OTHERWISE SPECIFIED TOLERANCES

DECIMALS:	ANGLES:
X :±0.5	X :±2
X.X :±0.3	X.X :±1
X.XX :±0.2	

Singatron Enterprise Co., Ltd.
 信譽企業股份有限公司

TITLE: M8 SERIES CONN. (GRN)

DWN: Vicky PART NO. 2ME3010-W06232H

CHKD: Harlen SCALE 2:1 UNIT: mm

APVD: Steve SIZE: A3 SHEET: 1 OF 1 REV: B

CUSTOMER COPY