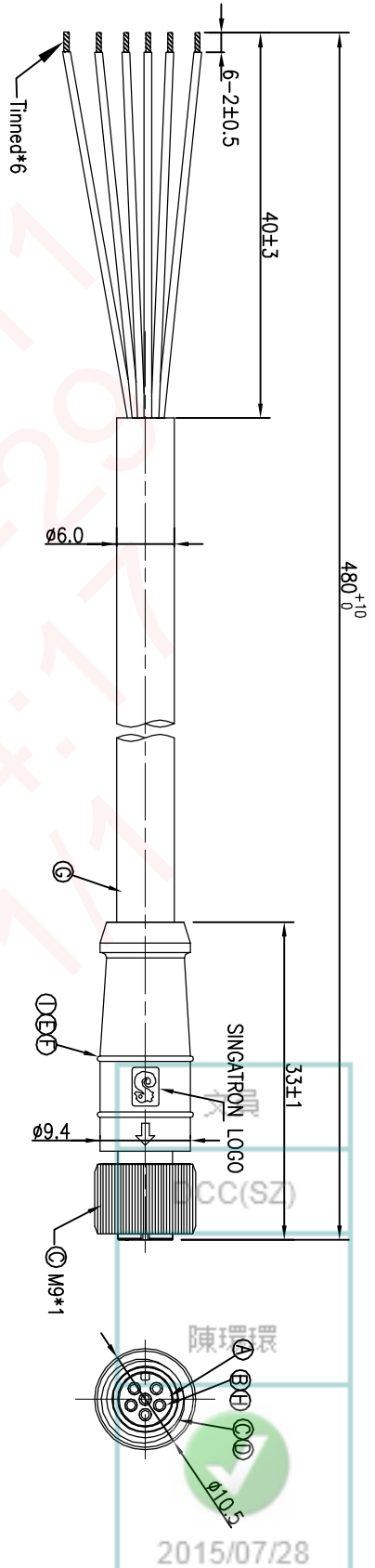
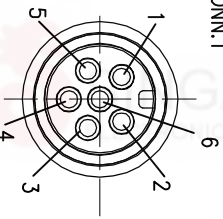


REV.	ECON NO.	OR DESCRIPTION	REVISION	DATE
A	PDR NO.:	S150416-19A	Wcky	2015.03.23
B	ECON NO.:	S150553-C	Lin	2015.05.27
C	ECON NO.:	S150749-C	Wcky	2015.07.23



CONN.1

6	BROWN
5	YELLOW
4	BLUE
3	WHITE
2	GREEN
1	BLACK+DRAIN
CONN.1	WIRE COLOR



PIN ASSIGNMENTS  
FRONT VIEW

NOTES:

1. WATERPROOF RATE: IP65
2. ELECTRICAL CHARACTERISTICS TEMPERATURE RANGE: -20°C TO +80°C RATING: 60V AC/DC 2A
3. SPECIFICATIONS: SEE "M8 SERIES SPECIFICATIONS".
4. TO CONFORM TO SINGATRON HAZARDOUS SUBSTANCE FREE SPEC.
5. GREEN PRODUCT IDENTIFICATION LABEL ON PACKAGING:



I	UV 膠	1	N/A	WHITE
H	FEMALE PIN	1	Phosphor Bronze	1u" Gold Plating Over Nickel Plating
G	CABLE	1	UL2464 24#*6C+AL+B +D OD6.0 UV	BLACK(PVC JACKET)
F	SHRINK TUBE	6	Ø1.5*7mm	BLACK
E	OVER MOLD	1	TPU	BLACK
D	O-RING	1	VITON	RED
C	NUT	1	C3604	NICKEL PLATING
B	FEMALE PIN	5	Phosphor Bronze	6u" GOLD PLATING OVER NICKEL PLATING
A	BODY	1	TPU	BLACK
NO	DESCRIPTION	QTY	MATERIAL	PLATING & COLOR
UNLESS OTHERWISE SPECIFIED TOLERANCES				
Singatron Enterprise Co., Ltd. 信譽企業股份有限公司				
TITLE: M8 SERIES FEMALE CONN. (6PIN)				
DWN: Wcky PART NO.: 2ME3010-W06238H				
CHKD: Harlen SCALE 2:1 UNIT: mm				
APVD: Steve SIZE: A3 SHEET: 1 OF 1 REV: C				
CUSTOMER COPY				