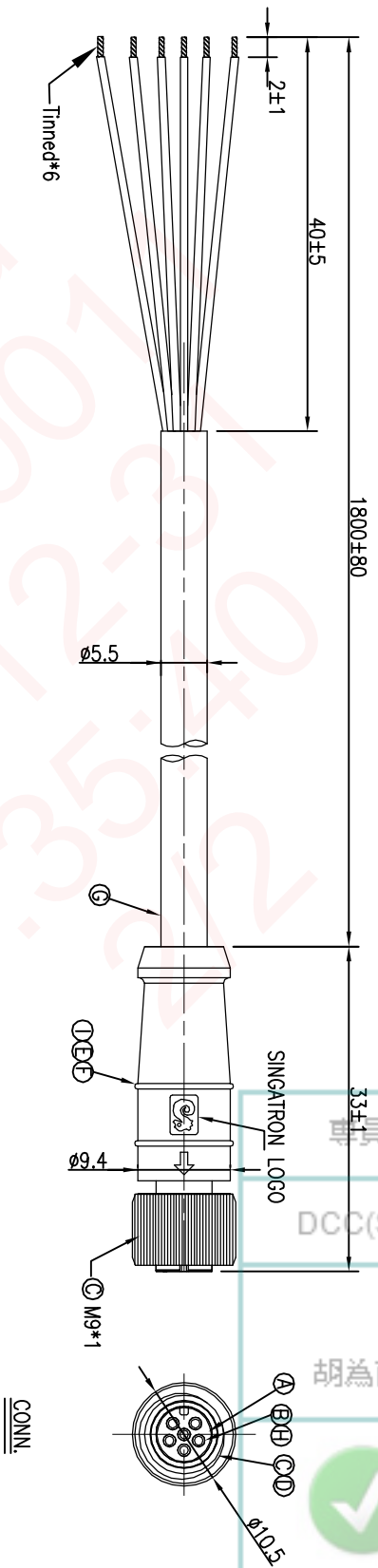
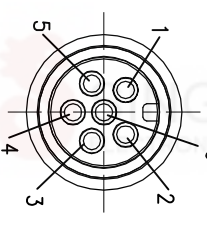


REV.	ECN NO OR DESCRIPTION	REVISED	DATE
A	PDR NO.:S150804-9A	Wcky	2015.07.13



6	BROWN
5	YELLOW
4	BLUE
3	WHITE
2	GREEN
1	BLACK
CONN.	WIRE COLOR



- NOTES:
1. WATERPROOF RATE: IP65
 2. ELECTRICAL CHARACTERISTICS
TEMPERATURE RANGE: -20°C TO +80°C
RATING: 60V AC/DC 2A
 3. SPECIFICATIONS: SEE "M8 SERIES SPECIFICATIONS".
 4. TO CONFORM TO SINGATRON HAZARDOUS SUBSTANCE FREE SPEC.
 5. GREEN PRODUCT IDENTIFICATION LABEL ON PACKAGING:

I	UV 膠	1	N/A	WHITE
H	FEMALE PIN	1	Phosphor Bronze C5441	1~3u" GOLD FLASH Over Nickel Plating
G	CABLE	1	UL2464 24#*6C+AL OD5.5 UV	BLACK(PVC JACKET)
F	SHRINK TUBE	6	φ1.5*7mm	BLACK
E	OVER MOLD	1	TPU	BLACK
D	O-RING	1	VTON	RED
C	NUT	1	C3604	NICKEL PLATING
B	FEMALE PIN	5	Phosphor Bronze C5210-EH 0.15t G2	1~3u" GOLD FLASH OVER NICKEL PLATING
A	BODY	1	TPU	BLACK
NO	DESCRIPTION	QTY	MATERIAL	PLATING & COLOR
UNLESS OTHERWISE SPECIFIED TOLERANCES				
Singatron Enterprise Co., Ltd. 信譽企業股份有限公司				
TITLE		M8 SERIES FEMALE CONN. (6PIN)		
DWN	Wcky	PART NO.:2ME3010-W06239H		
CHKD	Harten	SCALE 2:1	UNIT: mm	
APVD	Steve	SIZE: A3	SHEET: 1 OF 1	REV: A

PIN ASSIGNMENTS
FRONT VIEW