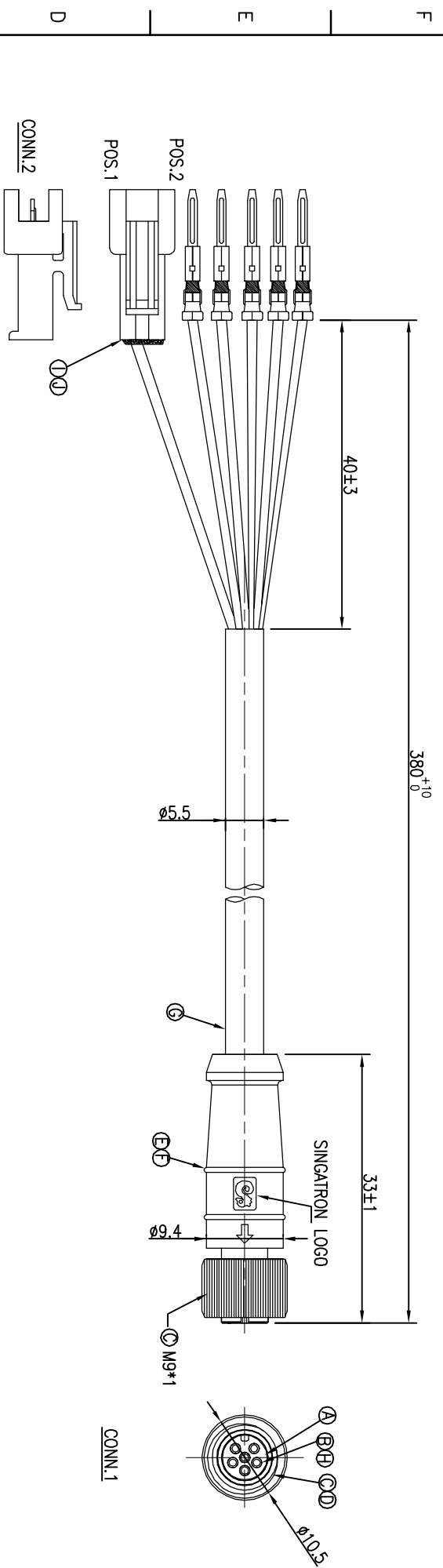
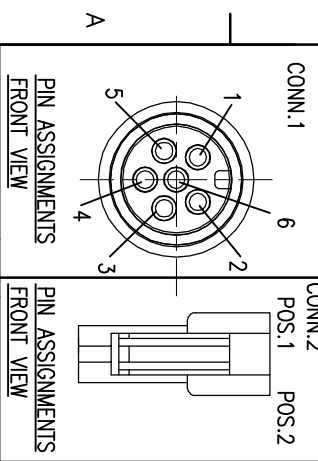


REV.	ECN NO.	OR DESCRIPTION	REVISED	DATE
A	PDR	NO.:S151202-11A	Vicky	2015.10.21



6	BROWN	1
5	YELLOW	
4	BLUE	
3	WHITE	
2	GREEN	
1	BLACK	
CONN.1 WIRE COLOR		CONN.2



- NOTES:
1. WATERPROOF RATE: IP65
 2. ELECTRICAL CHARACTERISTICS TEMPERATURE RANGE: -20°C TO +80°C RATING: 60V AC/DC 2A
 3. SPECIFICATIONS:SEE "M8 SERIES SPECIFICATIONS".
 4. TO CONFORM TO SINGATRON HAZARDOUS SUBSTANCE FREE SPEC.
 5. GREEN PRODUCT IDENTIFICATION LABEL ON PACKAGING: **RoHS PASS**

J	THERMAL GLUE	1	N/A	WHITE
I	CONNECTOR	6	JWT C2521T0*-2	TIN PLATING
		1	JWT C2521H02-2P	BLACK
H	FEMALE PIN	5	Phosphor Bronze	1u" Gold Plating Over Nickel Plating
G	CABLE	1	UL2464 24#*6C+AL OD5.5 UV	BLACK(PVC JACKET)
F	SHRINK TUBE	6	φ1.5*7mm	BLACK
E	OVER MOLD	1	TPU	BLACK
D	O-RING	1	VITON	RED
C	NUT	1	C3604	NICKEL PLATING
B	FEMALE PIN	1	Phosphor Bronze	6u" GOLD PLATING OVER NICKEL PLATING
A	BODY	1	TPU	BLACK
NO	DESCRIPTION	QTY	MATERIAL	PLATING & COLOR

UNLESS OTHERWISE SPECIFIED TOLERANCES

DECIMALS:	ANGLES:
X :±0.5	X :±2°
X.X :±0.3	X.X :±1°
X.XX :±0.2	

TITLE: M8 SERIES FEMALE CONN. (6PIN)
 DWG: Vicky PART NO.:2ME3010-W06240H
 CHKD: Harlen SCALE 2:1 UNIT: mm
 APVD: Steve SIZE: A3 SHEET:1 OF 1 REV: A

CUSTOMER COPY