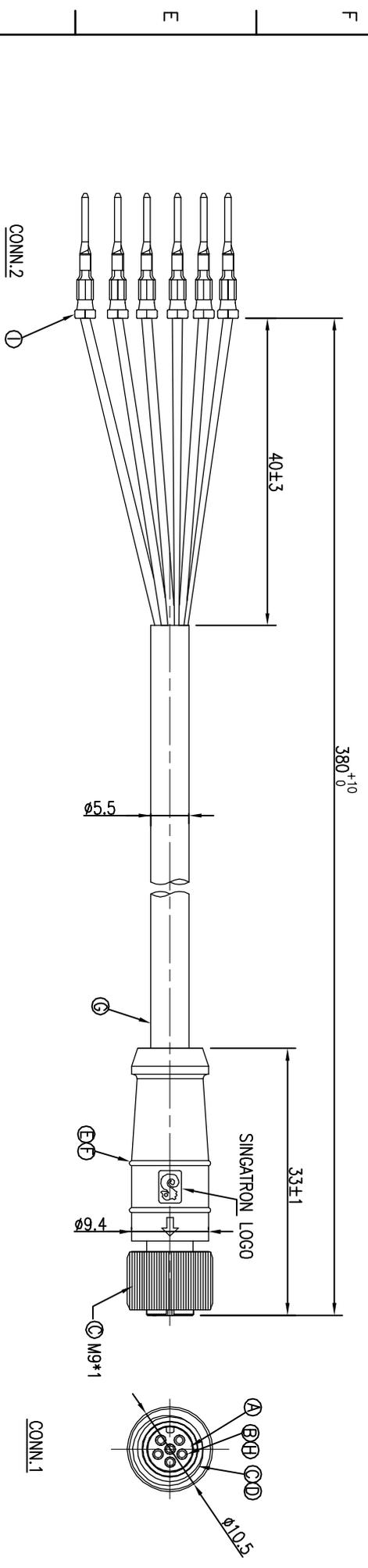
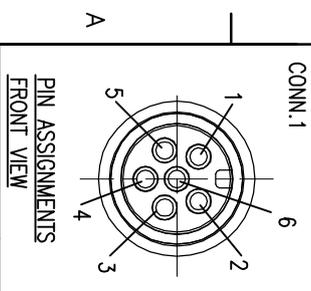


REV.	ECN NO	OR DESCRIPTION	REVISED	DATE
A	PDR NO.: S160301-2A	Vicky	2016.03.09	



CONN. 1	WIRE COLOR
1	BLACK
2	GREEN
3	WHITE
4	BLUE
5	YELLOW
6	BROWN



NOTES:

1. WATERPROOF RATE: IP65
2. ELECTRICAL CHARACTERISTICS TEMPERATURE RANGE: -20°C TO +80°C RATING: 60V AC/DC 2A
3. SPECIFICATIONS: SEE "M8 SERIES SPECIFICATIONS."
4. TO CONFORM TO SINGATRON HAZARDOUS SUBSTANCE FREE SPEC.
5. GREEN PRODUCT IDENTIFICATION LABEL ON PACKAGING: **RoHS PASS**

NO	DESCRIPTION	QTY	MATERIAL	PLATING & COLOR
A	BODY	1	TPU	BLACK
B	FEMALE PIN	1	Phosphor Bronze	GOLD PLATING OVER NICKEL PLATING
C	NUT	1	C3604	NICKEL PLATING
D	O-RING	1	VITON	RED
E	OVER MOLD	1	TPU	BLACK
F	SHRINK TUBE	6	ø1.5*7mm	BLACK
G	CABLE	1	UL2464 24#*6C+AL OD5.5 UV	BLACK(PVC JACKET)
H	FEMALE PIN	5	Phosphor Bronze	1u" Gold Plating Over Nickel Plating
I	TERMINAL	6	JST SWPT-001T-P025	TIN PLATING

DECIMALS:	ANGLES:
X :±0.5	X :±2°
X.X :±0.3	X.X :±1°
X.XX :±0.2	

TITLE	M8 SERIES FEMALE CONN. (6PIN)
DWN	Vicky
CHKD	Harlen
APVD	Steve
PART NO.:	2ME3010-W06241H
SCALE:	2:1
UNIT:	mm
SIZE:	A3
SHEET:	1 OF 1
REV:	A

Singatron Enterprise Co., Ltd.
 信譽企業股份有限公司

CUSTOMER COPY