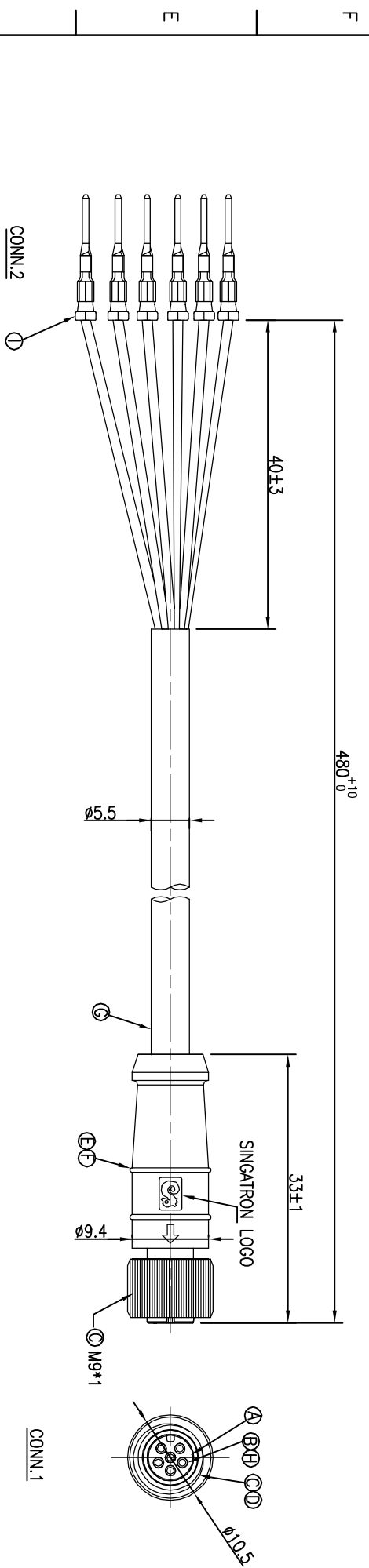
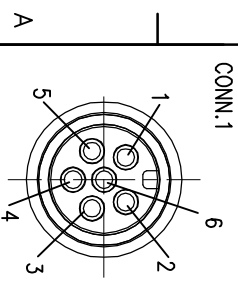


REV.	ECN NO OR DESCRIPTION	REVISED	DATE
A	PDR NO.: S160616-6A	Vicky	2016.06.16



6	BROWN
5	YELLOW
4	BLUE
3	WHITE
2	GREEN
1	BLACK
CONN.1 WIRE COLOR	



PIN ASSIGNMENTS  
FRONT VIEW

- NOTES:
1. WATERPROOF RATE: IP65
  2. ELECTRICAL CHARACTERISTICS TEMPERATURE RANGE: -20°C TO +80°C RATING: 60V AC/DC 2A
  3. SPECIFICATIONS: SEE "M8 SERIES SPECIFICATIONS".
  4. TO CONFORM TO SINGATRON HAZARDOUS SUBSTANCE FREE SPEC.
  5. GREEN PRODUCT IDENTIFICATION LABEL ON PACKAGING: **RoHS PASS**

NO	DESCRIPTION	QTY	MATERIAL	PLATING & COLOR
A	BODY	1	TPU	BLACK
B	FEMALE PIN	1	Phosphor Bronze	GOLD PLATING OVER NICKEL PLATING
C	NUT	1	C3604	NICKEL PLATING
D	O-RING	1	VITON	RED
E	OVER MOLD	1	TPU	BLACK
F	SHRINK TUBE	6	φ1.5*7mm	BLACK
G	CABLE	1	UL2464 24#*6C+AL OD5.5 UV	BLACK(PVC JACKET)
H	FEMALE PIN	5	Phosphor Bronze	1u" Gold Plating Over Nickel Plating
I	TERMINAL	6	JST SWPT-001T-P025	TIN PLATING

DECIMALS:	ANGLES:
X :±0.5	X :±2°
X.X :±0.3	X.X :±1°
X.XX :±0.2	

TITLE	M8 SERIES FEMALE CONN. (6PIN)
DWN	Vicky
CHKD	Harlen
APVD	Steve

PART NO.: 2ME3010-W06242H  
SCALE 2:1 UNIT: mm  
SIZE: A3 SHEET: 1 OF 1 REV: A

Singatron Enterprise Co., Ltd.  
信登企業股份有限公司

CUSTOMER COPY