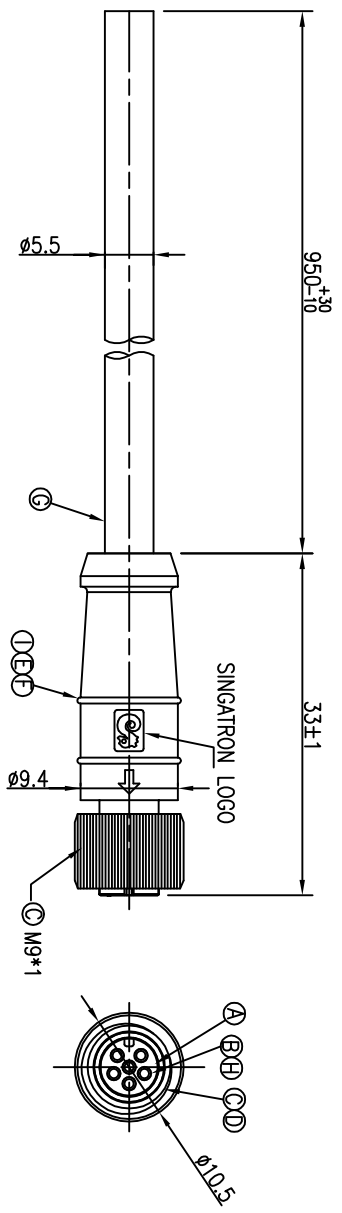
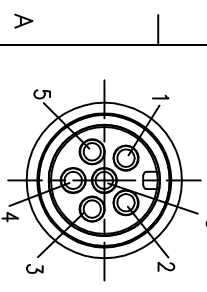


REV.	ECN NO OR DESCRIPTION	REVISED	DATE
A	PDR NO.: A180726-8A	JAY	2019.01.16



CONN.

6	BROWN
5	YELLOW
4	BLUE
3	WHITE
2	GREEN
1	BLACK
CONN.	WIRE COLOR



PIN ASSIGNMENTS
FRONT VIEW

- NOTES:
1. WATERPROOF RATE: IP65
 2. ELECTRICAL CHARACTERISTICS
TEMPERATURE RANGE: -20°C TO +80°C
RATING: 60V AC/DC 2A
 3. SPECIFICATIONS: SEE "M8 SERIES SPECIFICATIONS".
 4. TO CONFORM TO SINGATRON HAZARDOUS SUBSTANCE FREE SPEC.
 5. GREEN PRODUCT IDENTIFICATION LABEL ON PACKAGING:

NO	DESCRIPTION	QTY	MATERIAL	PLATING & COLOR
I	UV 膠	1	N/A	WHITE
H	FEMALE PIN	1	Phosphor Bronze	1u" Gold Plating Over Nickel Plating
G	CABLE	1	UL2464 24#*6C+AL OD5.5 UV	BLACK(PVC JACKET)
F	SHRINK TUBE	6	ø1.5*7mm	BLACK
E	OVER MOLD	1	TPU	BLACK
D	O-RING	1	VITON	RED
C	NUT	1	C3604	NICKEL PLATING
B	FEMALE PIN	5	Phosphor Bronze	6u" GOLD PLATING OVER NICKEL PLATING
A	BODY	1	PPE	BLACK

UNLESS OTHERWISE SPECIFIED TOLERANCES

DECIMALS:	ANGLES:
X :±0.5	X :±2'
X.X :±0.3	X.X :±1'
X.XX :±0.2	

Singatron Enterprise Co., Ltd.
信譽企業股份有限公司

M8 SERIES FEMALE CONN. (6PIN)

TITLE	M8 SERIES FEMALE CONN. (6PIN)
DWN	JAY
CHKD	JF
APVD	William
PART NO.	2ME3010-W06245H
SCALE	2:1
UNIT	mm
SIZE	A3
SHEET	1 OF 1
REV	A

CUSTOMER COPY