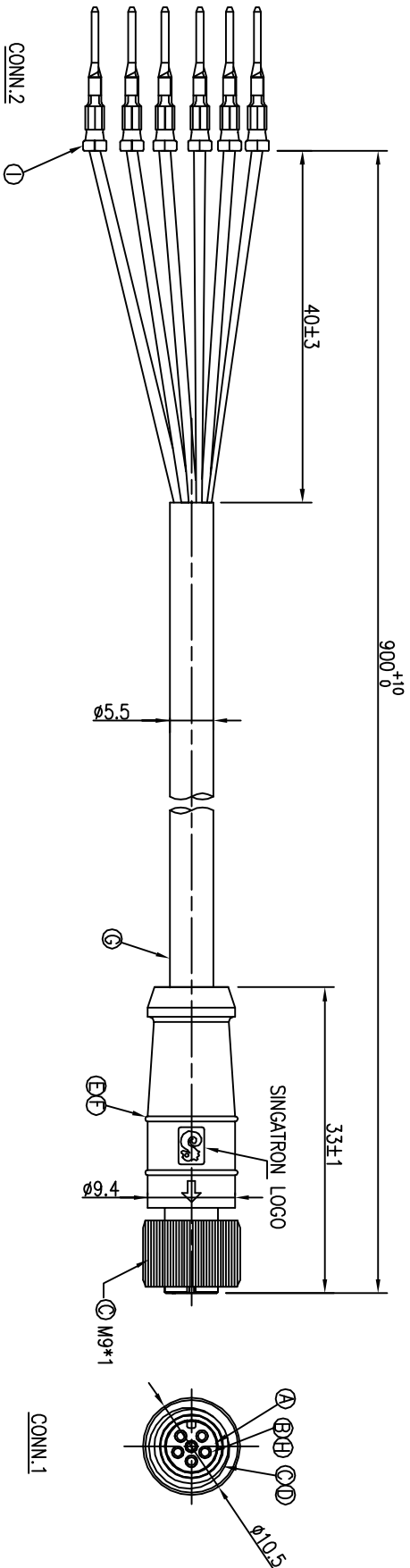
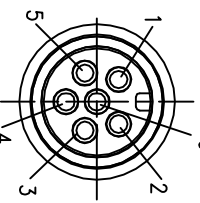


REV.	ECN NO OR DESCRIPTION	REVISED	DATE
A	PDR NO.: A181228-1A	TZ	2018.12.28



6	BROWN
5	YELLOW
4	BLUE
3	WHITE
2	GREEN
1	BLACK
CONN.1 WIRE COLOR	



PIN ASSIGNMENTS
FRONT VIEW

NOTES:

1. WATERPROOF RATE: IP65
2. ELECTRICAL CHARACTERISTICS
TEMPERATURE RANGE: -20°C TO +80°C
RATING: 60V AC/DC 2A
3. SPECIFICATIONS: SEE "M8 SERIES SPECIFICATIONS".
4. TO CONFORM TO SINGATRON HAZARDOUS SUBSTANCE FREE SPEC.
5. GREEN PRODUCT IDENTIFICATION LABEL ON PACKAGING:

1	TERMINAL	6	JST SWPT-001T-P025	TIN PLATING
H	FEMALE PIN	5	Phosphor Bronze	1u" Gold Plating Over Nickel Plating
G	CABLE	1	UL2464 24#*6C+AL OD5.5 UV	BLACK(PVC JACKET)
F	SHRINK TUBE	6	φ1.5*7mm	BLACK
E	OVER MOLD	1	TPU	BLACK
D	O-RING	1	VITON	RED
C	NUT	1	C3604	NICKEL PLATING
B	FEMALE PIN	1	Phosphor Bronze	GOLD PLATING OVER NICKEL PLATING
A	BODY	1	TPU	BLACK
NO	DESCRIPTION	QTY	MATERIAL	PLATING & COLOR
UNLESS OTHERWISE SPECIFIED TOLERANCES				
Singatron Enterprise Co., Ltd. 				
DECIMALS:		ANGLES:		
X	:±0.5	X	:±2°	
X X	:±0.3	X X	:±1°	
X:XX	:±0.2			
TITLE		PART NO.: 2M3010-W06248H		
DWN		TZ		
CHKD		JF		
APVD		William		
SCALE		2:1		
UNIT:		mm		
SHEET:		1 OF 1		
REV:		A		
CUSTOMER COPY				

2 1 3 4 5 6 7 8