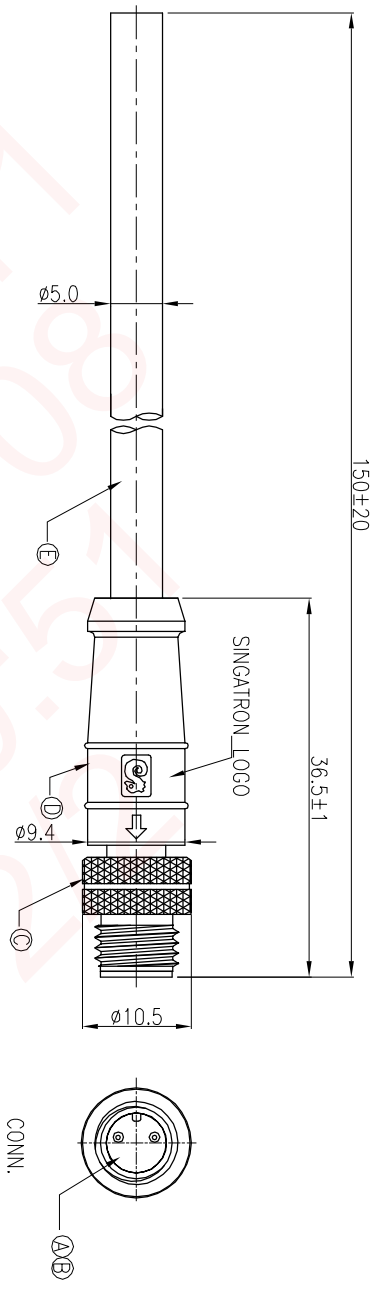
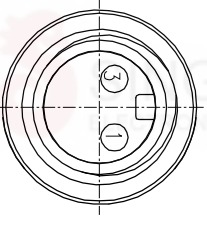


REV.	ECN NO.	OR DESCRIPTION	REVISED	DATE
A	PDR NO:IT141126-2B	Yang		2015.06.12



RED	3
BLACK	1
WIRE COLOR	CONN.



PIN ASSIGNMENTS
FRONT VIEW

- NOTES:
- 1 ELECTRICAL CHARACTERISTICS:
- 1-1 CURRENT RATING: 5 AMPS.
 - 1-2 CONTACT RESISTANCE: 3 Ohm Max.
 - 1-3 INSULATION RESISTANCE: 100 MOhm Min. at 500VDC.
 - 1-4 BREAKDOWN VOLTAGE: 500 VAC PER MINUTE.
2. ENVIRONMENTAL:
- 2-1 OPERATING TEMPERATURE: -20°C TO +80°C.
 - 2-2 SEALING REQUIREMENTS: IP67.
3. OTHER GENERAL SPEC. TO REFER "M8 SENSOR CONNECTOR SERIES SPEC."
4. FOR TECHNICAL DATA REFER TO YOUR LOCAL SINGATRON ELECTRONICS SALES OFFICE.
5. ALL DIMENSIONS ARE NOMINAL FOR REFERENCE ONLY UNLESS OTHERWISE STATED.
6. TO CONFORM TO SINGATRON HAZARDOUS SUBSTANCE FREE SPEC.
7. GREEN PRODUCT IDENTIFICATION LABEL ON PACKAGING: **GR PASS**.

E	CABLE	1	UL2464 20AWG*2C+AL (UV) OD5.0	BLACK(PVC JACKET)
D	OVER MOLD	1	TPU	BLACK
C	NUT	1	BRASS	NICKEL PLATING
B	MALE PIN	2	BRASS	GOLD PLATING OVER NICKEL PLATING
A	BODY	1	TPU	BLACK
NO	DESCRIPTION	QTY	MATERIAL	PLATING & COLOR
UNLESS OTHERWISE SPECIFIED TOLERANCES				
Singatron Enterprise Co., Ltd. 信亨企業股份有限公司				
TITLE M8 SERIES MALE CONN. (2PIN)				
DWN	Yang	PART NO.2ME3012-W02311H		
CHKD	JF	SCALE 2:1	UNIT: mm	
APVD	Harlen	SIZE: A3	SHEET: 1 OF 1	REV: A

CUSTOMER COPY