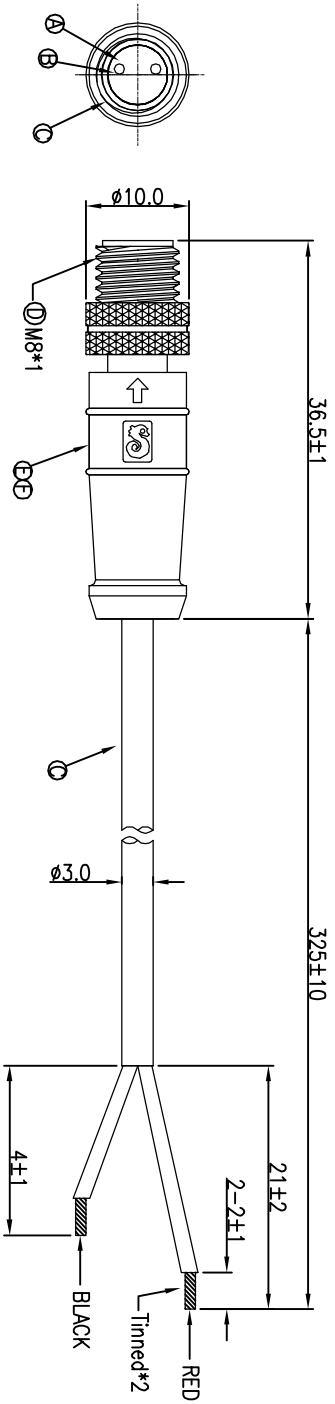
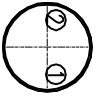


REV/ECN NO	OR DESCRIPTION	REVISED	DATE
A	PDR NO.:S170223-2A	Vicky	2017.02.23



2	BLACK
1	RED
CONN.	WIRE COLOR
PIN OUT	



Pin Assignments
Front View

- NOTES:
- ELECTRICAL CHARACTERISTICS:
 - 1-1 CURRENT RATING: 5 AMPS
 - 1-2 CONTACT RESISTANCE: 3 Ohm Max.
 - 1-3 INSULATION RESISTANCE: 100 MOhm Min. at 500VDC
 - 1-4 BREAKDOWN VOLTAGE: 500 VAC PER MINUTE
 - ENVIRONMENTAL:
 - 2-1 OPERATING TEMPERATURE: -20° TO +80°
 - 2-2 SEALING REQUIREMENTS: IP67
 - OTHER GENERAL SPEC. TO REFER "CIRCULAR SERIES GENERAL SPEC".
 - FOR TECHNICAL DATA REFER TO YOUR LOCAL SINGATRON ELECTRONICS SALES OFFICE
 - ALL DIMENSIONS ARE NOMINAL FOR REFERENCE ONLY UNLESS OTHERWISE STATED
 - TO CONFORM TO SINGATRON HAZARDOUS SUBSTANCE FREE SPEC.
 - GREEN PRODUCT IDENTIFICATION LABEL ON PACKAGING:

NO	DESCRIPTION	QTY	MATERIAL	PLATING & COLOR
A	BODY	1	TPU	BLACK
B	MALE PIN	2	COPPER ALLOY	1~3u" GOLD FLASH OVER NICKEL PLATING
C	CABLE	1	UL2725 24#*2C+A/M	BLACK(PVC JACKET)
D	NIIT	1	COPPER ALLOY	NICKEL PLATING 100u"
E	OVER MOLD	1	TPU	BLACK
F	SHRINK TUBE	2	φ1.5*7mm	BLACK

DECIMALS:	ANGLES:	TITLE	MB SERIES	MALE CONNECTOR,PVC CABLE
X :±0.5	X :±2°	DWN	Vicky	PART NO.2ME3012-W02319H
X.X :±0.3	X.X :±1°	CHKD	Horlen	SCALE 2:1 UNIT: mm
X.XX :±0.2		APVD	Steve	SIZE: A3 SHEET: 1 OF 1 REV: A

CUSTOMER COPY

Singatron Enterprise Co., Ltd.
信言企业股份有限公司