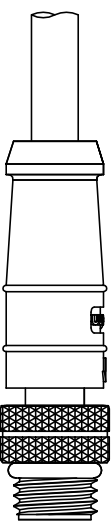
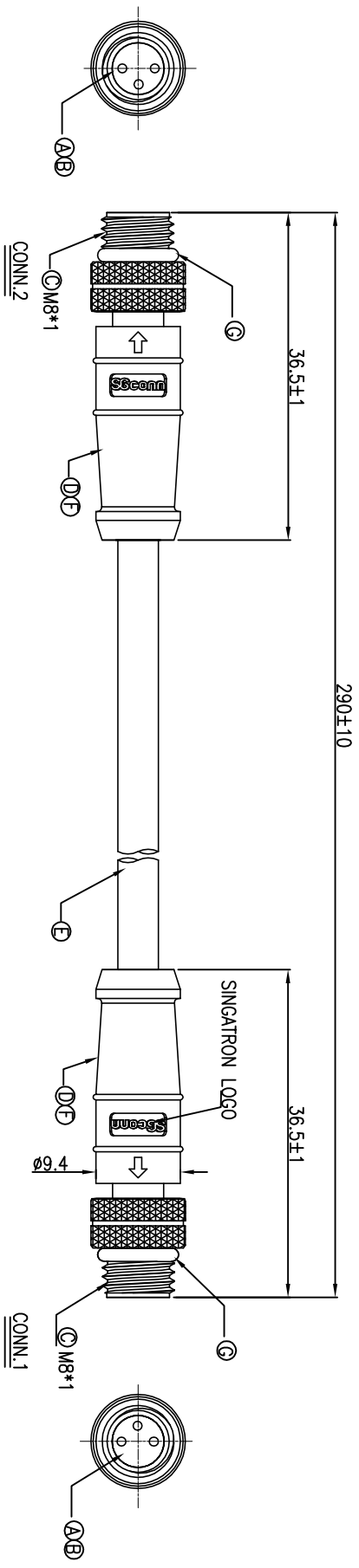
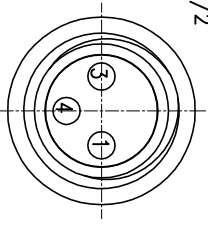


REV.	ECN NO	OR DESCRIPTION	REVISED	DATE
A	PDR NO: S110407-1B	Harlen	YF	11.04.28
B	ECN NO: S140947		YF	2014.09.19



4	RED	4
3	ORANGE	3
1	BROWN	1
CONN.1/2	WIRE COLOR	CONN.2



PIN ASSIGNMENTS
FRONT VIEW

- NOTES:
1. WATERPROOF RATE: IP65
 2. ELECTRICAL CHARACTERISTICS
TEMPERATURE RANGE: -20°C TO +80°C
RATING: 60V AC/DC 5A
 3. SPECIFICATIONS: SEE "M8 SERIES SPECIFICATIONS".
 4. TO CONFORM TO SINGATRON HAZARDOUS SUBSTANCE FREE SPEC.
 5. GREEN PRODUCT IDENTIFICATION LABEL ON PACKAGING:

G	O-RING	2	VITON	BLACK
F	SHRINK TUBE	6	φ1.5*7mm	BLACK
E	CABLE	1	UL2464 24AWG*3C+AL OD4.5	BLACK(PVC JACKET)
D	OVER MOLD	2	TPU	BLACK
C	NUT	2	C3604	NICKEL PLATING 100u"
B	MALE PIN	6	BRASS	6u" GOLD PLATING OVER NICKEL PLATING
A	BODY	2	TPU	BLACK
NO	DESCRIPTION	QTY	MATERIAL	PLATING & COLOR
UNLESS OTHERWISE SPECIFIED TOLERANCES				
Singatron Enterprise Co., Ltd. 信管企業股份有限公司				
TITLE: M8 SERIES MALE CONN. (3PIN)				
DWN	YF	PART NO. 2ME3012-W03304H		
CHKD	JF	SCALE 2:1	UNIT: mm	
APVD	Harlen	SIZE: A3	SHEET: 1 OF 1	REV: B

DECIMALS:	ANGLES:
X :±0.5	X :±2'
X.X :±0.3	X.X :±1'
X.XX :±0.2	

CUSTOMER COPY