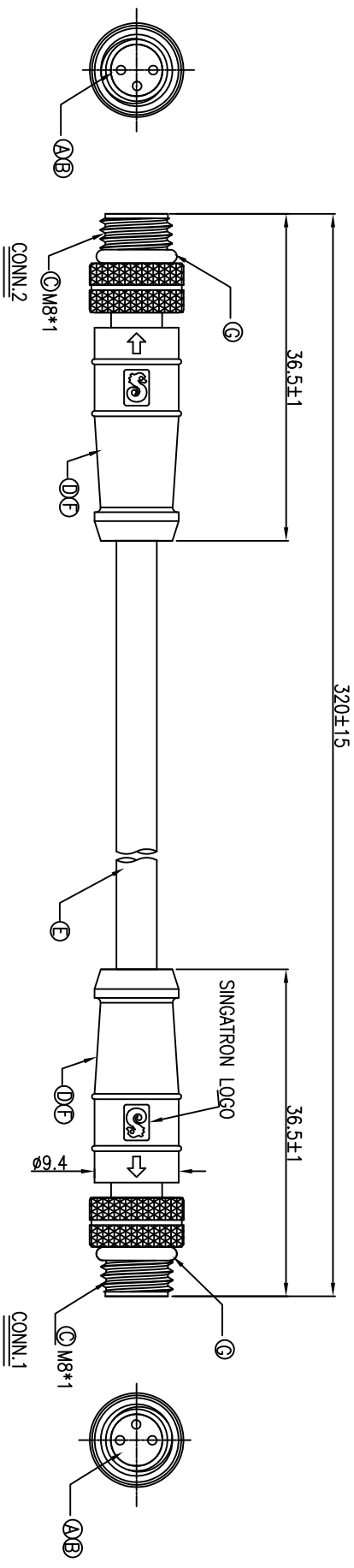
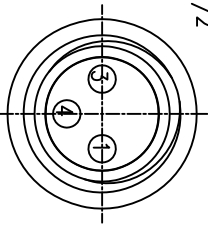


REV.	ECN NO OR DESCRIPTION	REVISED	DATE
A	PDR NO:S110909-7A	Harlen	2011.9.15



4	RED	4
3	ORANGE	3
1	BROWN	1
CONN.1	WIRE COLOR	CONN.2
CONN.1/2		



PIN ASSIGNMENTS
FRONT VIEW

- NOTES:
1. WATERPROOF RATE: IP65
 2. ELECTRICAL CHARACTERISTICS
TEMPERATURE RANGE: -20°C TO +80°C
RATING: 60V AC/DC 5A
 3. SPECIFICATIONS:SEE "M8 SERIES SPECIFICATIONS".
 4. TO CONFORM TO SINGATRON HAZARDOUS SUBSTANCE FREE SPEC.
 5. GREEN PRODUCT IDENTIFICATION LABEL ON PACKAGING:

G	O-RING	2	VITON	BLACK
F	SHRINK TUBE	6	Ø1.5*7mm	BLACK
E	CABLE	1	UL2464 24AWG*3C+AL OD4.5	BLACK(PVC JACKET)
D	OVER MOLD	2	TPU	BLACK
C	NUT	2	C3604	NICKEL PLATING 100u"
B	MALE PIN	6	BRASS	6u" GOLD PLATING OVER NICKEL PLATING
A	BODY	2	TPU	BLACK
NO	DESCRIPTION	QTY	MATERIAL	PLATING & COLOR

UNLESS OTHERWISE SPECIFIED TOLERANCES

Singatron Enterprise Co., Ltd.
信普企業股份有限公司

DECIMALS:	ANGLES:	TITLE	M8 SERIES MALE CONN. (3PIN)
X :±0.5	X :±2°	DWN	Harlen
X.X :±0.3	X.X :±1°	CHKD	STEVE
X.XX :±0.2		APVD	TONY
			SIZE: A3
			SHEET:1 OF 1
			REV: A

CUSTOMER COPY