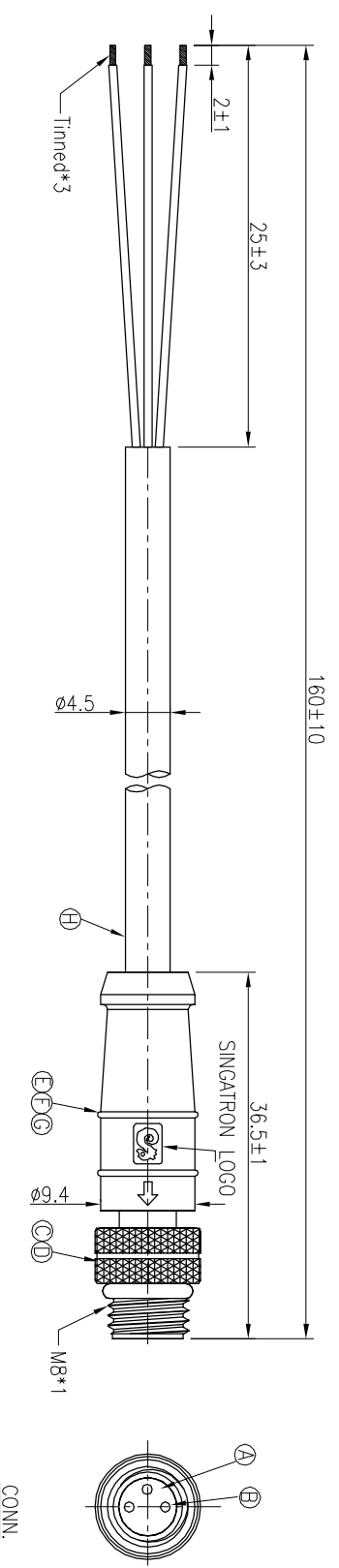
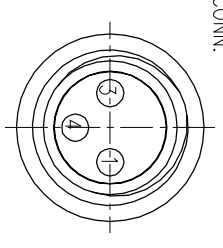


REV	ECN NO	OR DESCRIPTION	REVISED	DATE
A	PDR NO.:S130924-12A	Shown	2014.02.11	



RED	4
ORANGE	3
BROWN	1
WIRE COLOR	CONN.



PIN ASSIGNMENTS
FRONT VIEW

- NOTES:
1. WATERPROOF RATE: IP65
 2. ELECTRICAL CHARACTERISTICS
TEMPERATURE RANGE: -20°C TO +80°C
RATING: 60V AC/DC 5A
 3. SPECIFICATIONS:SEE "M8 SERIES SPECIFICATIONS".
 4. TO CONFORM TO SINGATRON HAZARDOUS SUBSTANCE FREE SPEC.
 5. GREEN PRODUCT IDENTIFICATION LABEL ON PACKAGING:

NO	DESCRIPTION	QTY	MATERIAL	PLATING & COLOR
A	BODY	1	TPU	BLACK
B	MALE PIN	3	BRASS	6u" GOLD PLATING OVER NICKEL PLATING
C	SCREW NUT	1	BRASS	NICKEL PLATING 100u"
D	O-RING	1	VITON	BLACK
E	OVER MOLD	1	TPU	BLACK
F	HEAT SHRINK TUBE	3	Ø1.5*7mm	BLACK
G	UV GLUE	1	N/A	WHITE
H	CABLE	1	UL2464 24AWG*3C+AL OD=4.5mm	BLACK(PVC JACKET)

UNLESS OTHERWISE SPECIFIED TOLERANCES

DECIMALS: ANGLES:

X :±0.5 X :±2'
X.X :±0.3 X.X :±1'
X.XX :±0.2

Singatron Enterprise Co., Ltd.
信登企業股份有限公司

TITLE M8 SERIES MALE CONN. (3PIN)

DWN Shown PART NO. 2ME3012-W03319H
CHKD Horten SCALE 2:1 UNIT: mm
APVD Quon SIZE: A3 SHEET: 1 OF 1 REV: A

CUSTOMER COPY