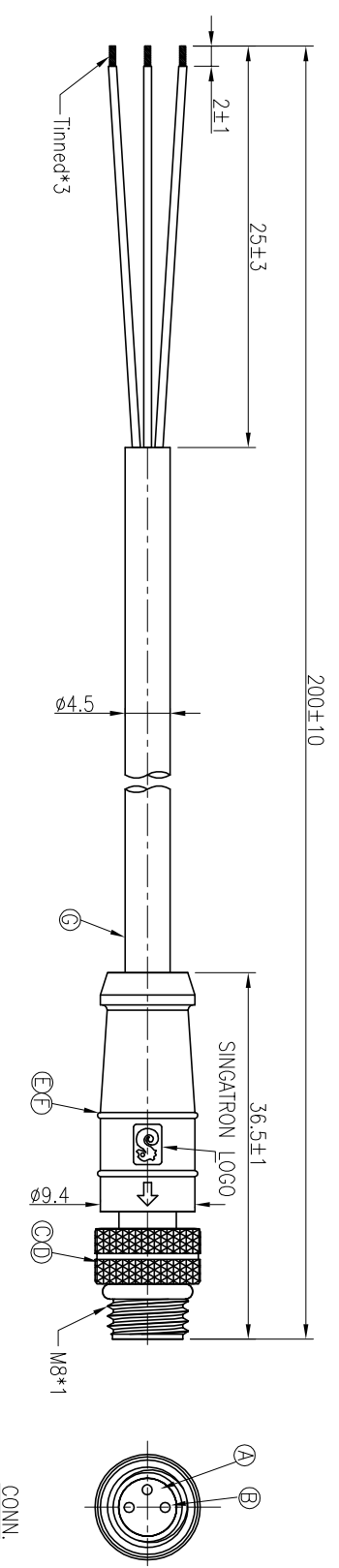
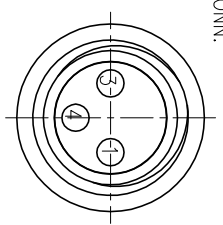


REV.	ECN NO.	OR DESCRIPTION	REVISED	DATE
A	PDR NO.:S140326-5A	YF-YA0	2014.03.24	



RED	4
ORANGE	3
BROWN	1
WIRE COLOR	CONN.
PIN OUT	
CONN.	



PIN ASSIGNMENTS
FRONT VIEW

- NOTES:
1. WATERPROOF RATE: IP65
 2. ELECTRICAL CHARACTERISTICS
TEMPERATURE RANGE: -20°C TO +80°C
RATING: 60V AC/DC 5A
 3. SPECIFICATIONS:SEE "M8 SERIES SPECIFICATIONS".
 4. TO CONFORM TO SINGATRON HAZARDOUS SUBSTANCE FREE SPEC.
 5. GREEN PRODUCT IDENTIFICATION LABEL ON PACKAGING: **GR PASS**

G	CABLE	1	UL2464 24AWG*3C+AL Ø4.5	BLACK(PVC JACKET)
F	HEAT SHRINK TUBE	3	Ø1.5*7mm	BLACK
E	OVER MOLD	1	TPU	BLACK
D	O-RING	1	VITON	BLACK
C	SCREW NUT	1	BRASS	NICKEL PLATING
B	MALE PIN	3	BRASS	6u" GOLD PLATING OVER NICKEL PLATING
A	BODY	1	TPU	BLACK
UNLESS OTHERWISE SPECIFIED TOLERANCES		SINGATRON Enterprise Co., Ltd. 信登企業股份有限公司		
DECIMALS:		ANGLES:		
X	:±0.5	X	:±2°	
X.X	:±0.3	X.X	:±1'	
X.XX	:±0.2			
TITLE		M8 SERIES MALE CONN. (3PIN)		
DWN	YF-YA0	PART NO.	2ME3012-W03321H	
CHKD	Harlen	SCALE	2:1	UNIT: mm
APVD	Quon	SIZE	A3	SHEET: 1 OF 1
REV: A				
CUSTOMER COPY				