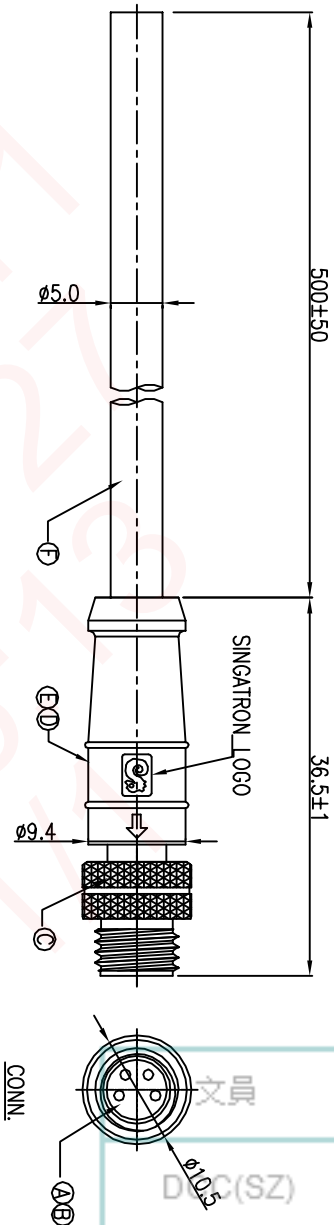
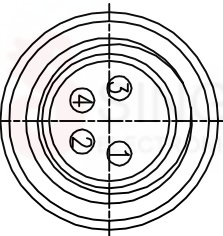


REV.	ECN NO.	OR DESCRIPTION	REVISED	DATE
A	PDR NO.:S140805-5B	YF		2014.11.05



文鼎
陳煒煒
2015/01/27

RED	4
YELLOW	3
ORANGE	2
BROWN	1
WIRE COLOR	CONN.



PIN ASSIGNMENTS
FRONT VIEW

- NOTES:
- 1 ELECTRICAL CHARACTERISTICS:
- 1-1 CURRENT RATING: 5 AMPS.
 - 1-2 CONTACT RESISTANCE: 3 Ohm Max.
 - 1-3 INSULATION RESISTANCE: 100 MOhm Min. at 500VDC.
 - 1-4 BREAKDOWN VOLTAGE: 500 VAC PER MINUTE.
2. ENVIRONMENTAL:
- 2-1 OPERATING TEMPERATURE: -20°C TO +80°C.
 - 2-2 SEALING REQUIREMENTS: IP67.
 - 2-3 LIFE TEST: 1,000 CYCLES MIN.
3. OTHER GENERAL SPEC. TO REFER "M8 SENSOR CONNECTOR SERIES SPEC.":
4. FOR TECHNICAL DATA REFER TO YOUR LOCAL SINGATRON ELECTRONICS SALES OFFICE.
5. ALL DIMENSIONS ARE NOMINAL FOR REFERENCE ONLY UNLESS OTHERWISE STATED.
6. TO CONFORM TO SINGATRON HAZARDOUS SUBSTANCE FREE SPEC.
7. GREEN PRODUCT IDENTIFICATION LABEL ON PACKAGING:

F	CABLE	1	UL2464 24#*4C+T UV OD5.0	BLACK(PVC JACKET)
E	HEAT SHRINK TUBE	4	Ø1.5*7mm	BLACK
D	OVER MOLD	1	TPU	BLACK
C	NUT	1	C3604	NICKEL PLATING
B	MALE PIN	4	BRASS	6µ" GOLD PLATING OVER NICKEL PLATING
A	BODY	1	TPU	BLACK
NO	DESCRIPTION	QTY	MATERIAL	PLATING & COLOR
UNLESS OTHERWISE SPECIFIED TOLERANCES				
Singatron Enterprise Co., Ltd. 				
TITLE M8 SERIES MALE CONN. (4PIN)				
DWN	YF	PART NO.2ME3012-W04307H		
CHKD	Harlen	SCALE 2:1	UNIT: mm	
APVD	Steve	SIZE: A3	SHEET:1 OF 1	REV: A

PIN ASSIGNMENTS
FRONT VIEW

CUSTOMER COPY