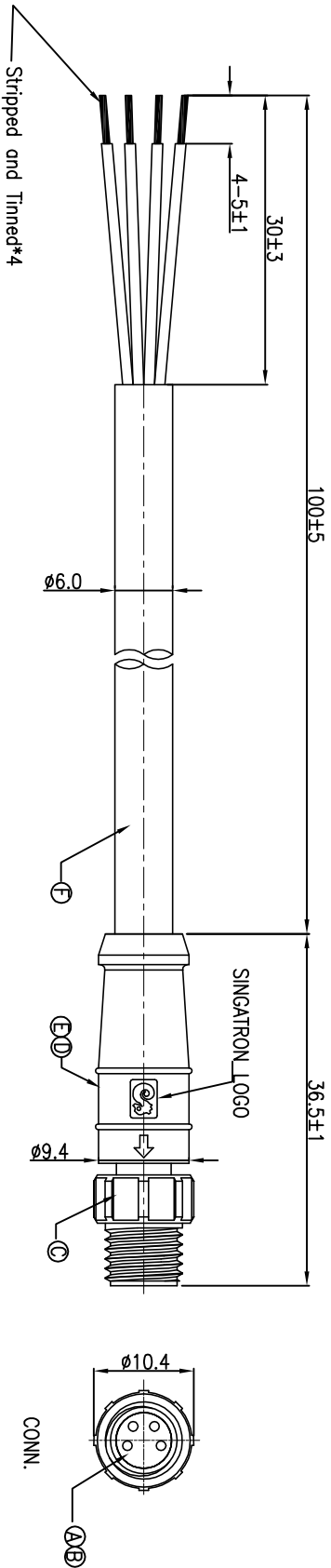
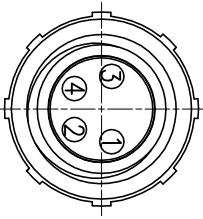


REV.	ECN NO.	OR DESCRIPTION	REVISED	DATE
A	PDR NO.:	T140728-6A	YF	2014.11.04



RED	4
YELLOW	3
ORANGE	2
BROWN	1
WIRE COLOR	CONN.



PIN ASSIGNMENTS
FRONT VIEW

- NOTES:
- 1 ELECTRICAL CHARACTERISTICS:
- 1-1 CURRENT RATING: 5 AMPS.
 - 1-2 CONTACT RESISTANCE: 3 Ohm Max.
 - 1-3 INSULATION RESISTANCE: 100 Mohm Min. at 500VDC.
 - 1-4 BREAKDOWN VOLTAGE: 500 VAC PER MINUTE.
2. ENVIRONMENTAL:
- 2-1 OPERATING TEMPERATURE: -20°C TO +80°C.
 - 2-2 SEALING REQUIREMENTS: IP67.
 - 3. LIFE TEST: 1,000 CYCLES MIN.
 - 4. OTHER GENERAL SPEC. TO REFER "M8 SENSOR CONNECTOR SERIES SPEC."
 - 5. FOR TECHNICAL DATA REFER TO YOUR LOCAL SINGATRON ELECTRONICS SALES OFFICE.
 - 6. ALL DIMENSIONS ARE NOMINAL FOR REFERENCE ONLY UNLESS OTHERWISE STATED.
 - 7. TO CONFORM TO SINGATRON HAZARDOUS SUBSTANCE FREE SPEC.
 - 8. GREEN PRODUCT IDENTIFICATION LABEL ON PACKAGING: Gr.P. Pass.

F	CABLE	1	UL2464 24#*4C+AL LV DB6.0	BLACK(PVC JACKET)
E	HEAT SHRINK TUBE	4	Ø1.5*7mm	BLACK
D	OVER MOLD	1	TPU	BLACK
C	NUT	1	PA66+GF	BLACK
B	MALE PIN	4	BRASS	6u" GOLD PLATING OVER NICKEL PLATING
A	BODY	1	TPU	BLACK
NO	DESCRIPTION	QTY	MATERIAL	PLATING & COLOR

UNLESS OTHERWISE SPECIFIED TOLERANCES

DECIMALS: ANGLES:

X :±0.5 X :±2'
X.X :±0.3 X.X :±1'
X.XX :±0.2

Singatron Enterprise Co., Ltd.
信晉企業股份有限公司

TITLE M8 SERIES MALE CONN. (4PIN)

DWN YF PART NO. 2ME3012-W04300H

CHKD JF SCALE 2:1 UNIT: mm

APVD Harlen SIZE: A3 SHEET: 1 OF 1 REV: A

CUSTOMER COPY