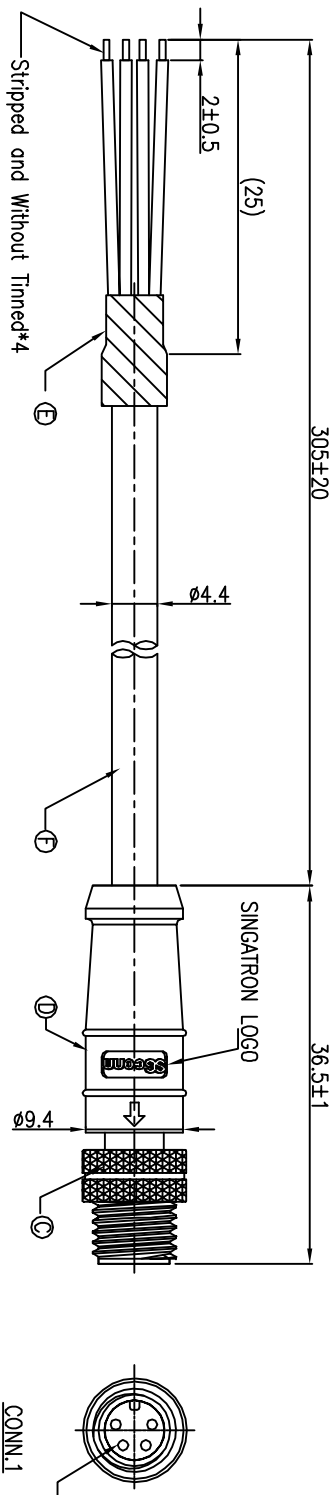
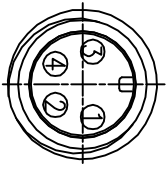


REV.	ECN NO.	OR DESCRIPTION	REVISED	DATE
A	PDR NO.:T160728-3A	JF		2017.10.27



YELLOW	4
GREEN	3
WHITE	2
RED	1
WIRE COLOR	CONN.
PIN OUT	
CONN.	



PIN ASSIGNMENTS
FRONT VIEW

NOTES:

1. WATERPROOF RATE: IP67
 2. ELECTRICAL CHARACTERISTICS
 3. SPECIFICATIONS:SEE "M8 SERIES SPECIFICATIONS".
 4. TO CONFORM TO SINGATRON HAZARDOUS SUBSTANCE FREE SPEC.
 5. GREEN PRODUCT IDENTIFICATION LABEL ON PACKAGING: **QPL PASS**
1. WATERPROOF RATE: IP67
IP67: IMMERSED IN 1M WATER FOR 30 MINUTES
2. ELECTRICAL CHARACTERISTICS
TEMPERATURE RANGE: -20°C TO +80°C
RATING: 60V AC/DC 5A
- DIELECTRIC WITHSTANDING VOLTAGE: 500V AC FOR ONE MINUTE

F	CABLE	1	UL2464 24#*4C+A ø4.4(UV)	BLACK(PVC JACKET)
E	HEAT SHRINK TUBE	1	300V 125°C	BLACK
D	OVER MOLD	1	TPU	BLACK
C	NUT	1	BRASS	NICKEL PLATING 100u"
B	MALE PIN	4	BRASS	6u" GOLD PLATING OVER NICKEL PLATING
A	BODY	1	TPU	BLACK
NO	DESCRIPTION	QTY	MATERIAL	PLATING & COLOR
UNLESS OTHERWISE SPECIFIED TOLERANCES				
Singatron Enterprise Co., Ltd. 信營企業股份有限公司				
TITLE: M8 SERIES MALE CONN. (4PIN)				
DWN	JF	PART NO.2ME3012-W04313H		
CHKD	Yang	SCALE 2:1	UNIT: mm	
APVD	Steve	SIZE: A3	SHEET: 1 OF 1	REV: A

CUSTOMER COPY