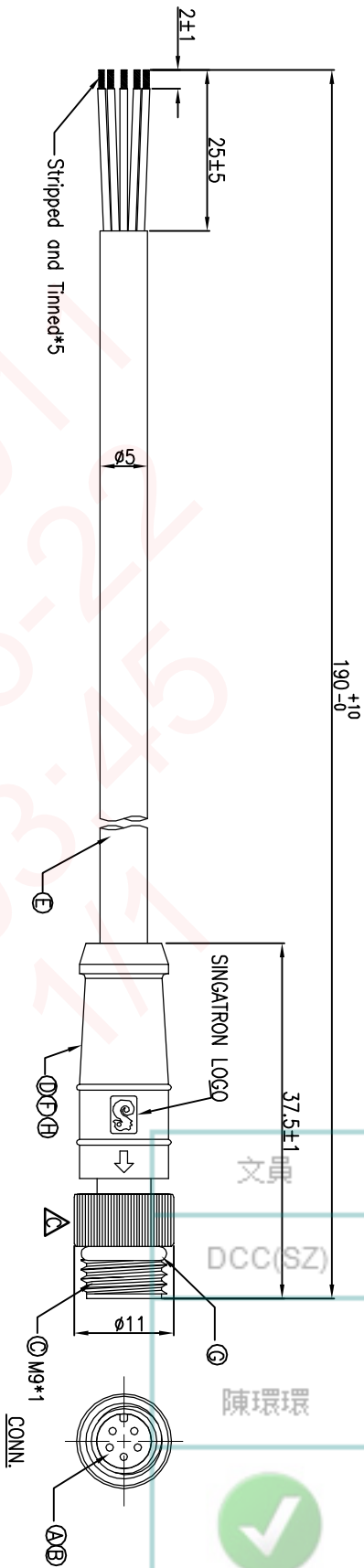
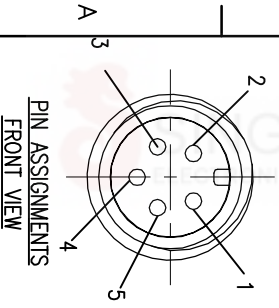


REV.	ECN NO OR DESCRIPTION	REVISED	DATE
A	PDR NO.:S121224-6B	LILY	2013.03.07
B	ECN NO.:S140928	YF	2014.09.11
C	ECN NO.:S150553-C	Lin	2015.05.27



5	YELLOW
4	BLUE
3	WHITE
2	GREEN
1	BLACK+DRAIN
CONN.1	WIRE COLOR



- NOTES:
1. WATERPROOF RATE: IP65
 2. ELECTRICAL CHARACTERISTICS
TEMPERATURE RANGE: -20°C TO +80°C
RATING: 60V AC/DC 2A
 3. SPECIFICATIONS: SEE "M8 SERIES SPECIFICATIONS".
 4. TO CONFORM TO SINGATRON HAZARDOUS SUBSTANCE FREE SPEC.
 5. GREEN PRODUCT IDENTIFICATION LABEL ON PACKAGING:

H	SHRINK TUBE	1	Ø1.0 125°C 300V	BLACK
G	O-RING	1	VITON	BLACK
F	SHRINK TUBE	5	Ø1.5*7mm	BLACK
E	CABLE	1	UL2464 24AWG*5C+AL +D+B UV	BLACK(PVC JACKET)
D	OVER MOLD	1	TPU	BLACK
C	NUT	1	C3604	NICKEL PLATING 100u"
B	MALE PIN	5	BRASS	6u" GOLD PLATING OVER NICKEL PLATING
A	BODY	1	TPU	BLACK
NO	DESCRIPTION	QTY	MATERIAL	PLATING & COLOR

UNLESS OTHERWISE SPECIFIED TOLERANCES

DECIMALS:	ANGLES:	TITLE	M8 SERIES	MALE CONN.	(SPIN)
X :±0.5	X :±2°	DMN	Lin	PART NO.	2ME3012-W05207H
XX :±0.3	XX :±1°	CHKD	Harden	SCALE	2:1 UNIT: mm
XXX :±0.2		APVD	Steve	SIZE: A3	SHEET: 1 OF 1 REV: C

SINGATRON ENTERPRISE CO., LTD.
信音企業股份有限公司
CUSTOMER COPY