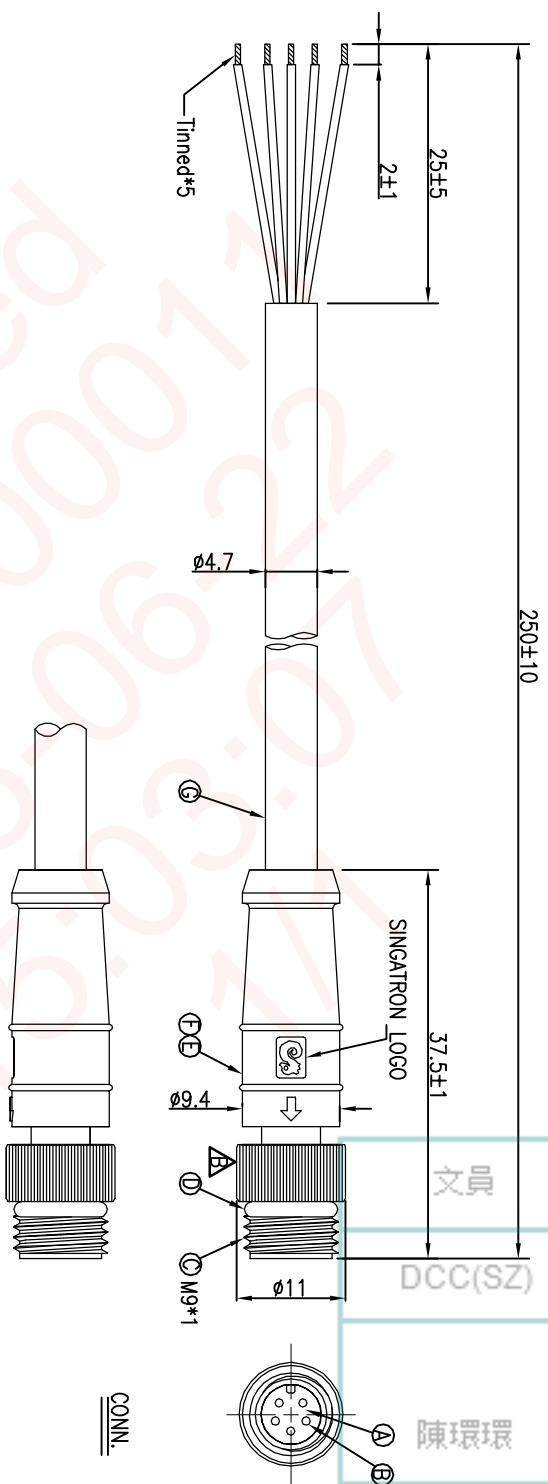
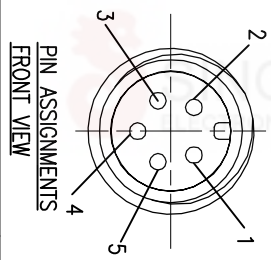


REV/ECN NO OR DESCRIPTION	REVISED	DATE
A PDR NO:S130313-4B	JF	2013.05.21
B ECN NO:S150553-C	A Lin	2015.05.27



5	YELLOW
4	BLUE
3	WHITE
2	GREEN
1	BLACK
CONN. WIRE COLOR	



- NOTES:
1. WATERPROOF RATE: IP65
 2. ELECTRICAL CHARACTERISTICS
TEMPERATURE RANGE: -20°C TO +80°C
RATING: 60V AC/DC 2A
 3. SPECIFICATIONS: SEE "M8 SERIES SPECIFICATIONS".
 4. TO CONFORM TO SINGATRON HAZARDOUS SUBSTANCE FREE SPEC.
 5. GREEN PRODUCT IDENTIFICATION LABEL ON PACKAGING:

G	CABLE	1	NONUL 24#*5C+AL+P ØD4.7	BLACK(PVC JACKET)
F	SHRINK TUBE	5	Ø1.5*7mm	BLACK
E	OVER MOLD	1	TPU	BLACK
D	O-RING	1	VITON	BLACK
C	NUT	1	C3604	NICKEL PLATING 100u"
B	MALE PIN	5	BRASS	1u" GOLD PLATING OVER NICKEL PLATING
A	BODY	1	TPU	BLACK
UNLESS OTHERWISE SPECIFIED TOLERANCES		SINGATRON Enterprise Co., Ltd. 信晉企業股份有限公司		
DECIMALS: ANGLES:		TITLE M8 SERIES MALE CONN. (5PIN)		
X :±0.5	X :±2'	DMN Lin PART NO.2M83012-W0520BH		
XX :±0.3	XX :±1'	CHKD Harten SCALE 2:1 UNIT: mm		
XXX :±0.2		APVD Steve SIZE: A3 SHEET:1 OF 1 REV: B		
CUSTOMER COPY				