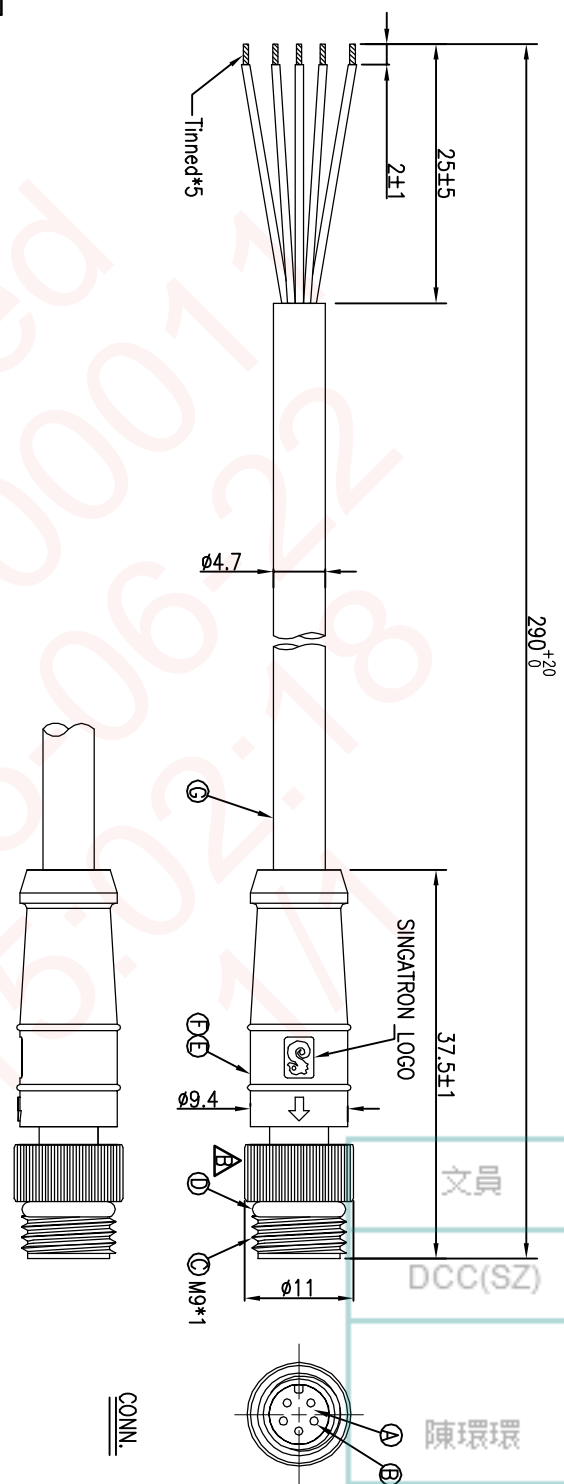
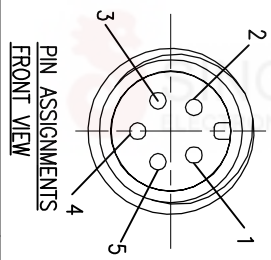


REV.	ECN NO OR DESCRIPTION	REVISED	DATE
A	PDR NO.: S140429-3A	YF	2014.04.24
B	ECN NO.:S150553-C	A Lin	2015.05.27

2015/06/16
13:28:42



CONN.	WIRE COLOR
5	YELLOW
4	BLUE
3	WHITE
2	GREEN
1	BLACK



- NOTES:
1. WATERPROOF RATE: IP65
 2. ELECTRICAL CHARACTERISTICS TEMPERATURE RANGE: -20°C TO +80°C RATING: 60V AC/DC 2A
 3. SPECIFICATIONS: SEE "M8 SERIES SPECIFICATIONS".
 4. TO CONFORM TO SINGATRON HAZARDOUS SUBSTANCE FREE SPEC.
 5. GREEN PRODUCT IDENTIFICATION LABEL ON PACKAGING:

G	CABLE	1	NONUL 24#*5C+AL+FF ODA.7	BLACK(PVC JACKET)
F	SHRINK TUBE	5	Ø1.5*7mm	BLACK
E	OVER MOLD	1	TPU	BLACK
D	O-RING	1	VITON	BLACK
C	NUT	1	C3604	NICKEL PLATING 100u"
B	MALE PIN	5	BRASS	1u" GOLD PLATING OVER NICKEL PLATING
A	BODY	1	TPU	BLACK
NO	DESCRIPTION	QTY	MATERIAL	PLATING & COLOR
UNLESS OTHERWISE SPECIFIED TOLERANCES		Singatron Enterprise Co., Ltd. 信譽企業股份有限公司		
DECIMALS: ANGLES:		TITLE M8 SERIES MALE CONN. (5PIN)		
X	:±0.5	X	:±2'	DWN Lin PART NO.2ME3012-W05213H
XX	:±0.3	XX	:±1'	CHKD Harden SCALE 2:1 UNIT: mm
XXX	:±0.2			APVD Steve SIZE: A3 SHEET:1 OF 1 REV: B
CUSTOMER COPY				