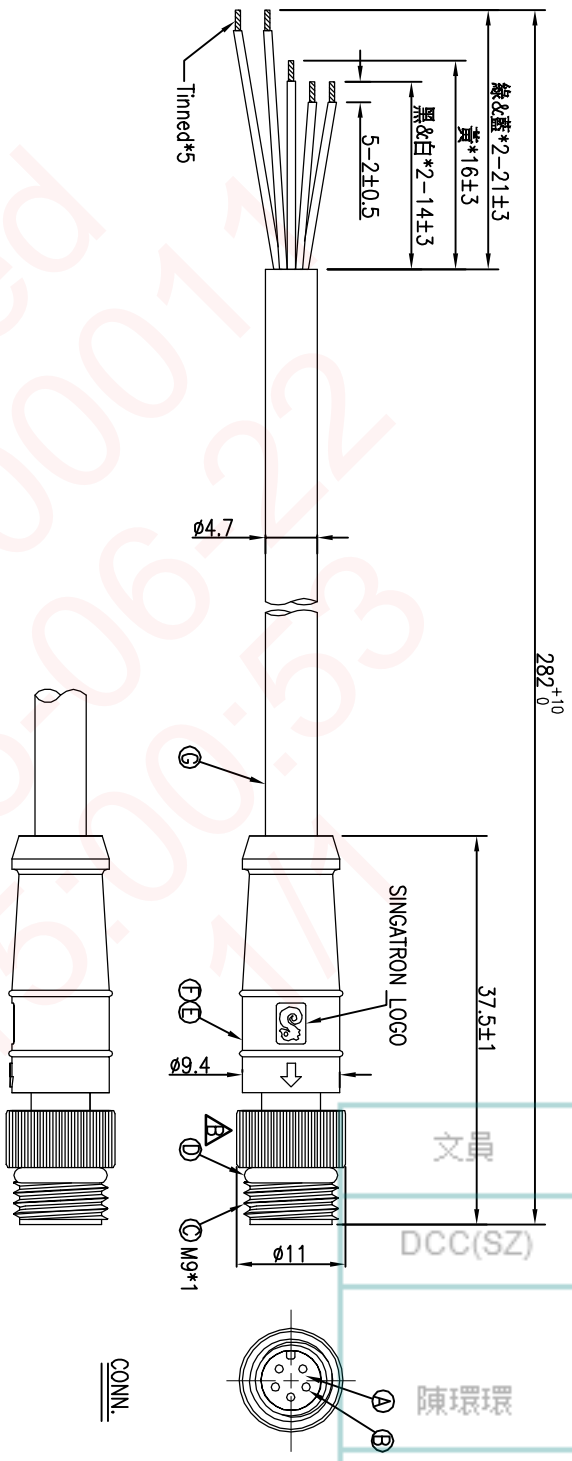
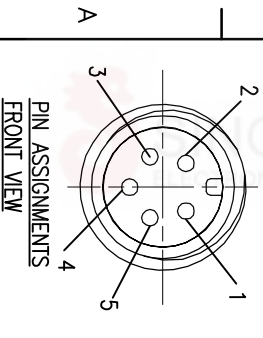


REV/ECN	NO OR DESCRIPTION	REVISED	DATE
A	PDR NO.: S150416-19C	Vicky	2015.03.23
B	ECN NO.: S150553-C	Lin	2015.05.27



5	YELLOW
4	BLUE
3	WHITE
2	GREEN
1	BLACK
CONN. WIRE COLOR	



- NOTES:
1. WATERPROOF RATE: IP65
  2. ELECTRICAL CHARACTERISTICS  
TEMPERATURE RANGE: -20°C TO +80°C  
RATING: 60V AC/DC 2A
  3. SPECIFICATIONS: SEE "M8 SERIES SPECIFICATIONS".
  4. TO CONFORM TO SINGATRON HAZARDOUS SUBSTANCE FREE SPEC.
  5. GREEN PRODUCT IDENTIFICATION LABEL ON PACKAGING:

G	CABLE	1	NONUL 24#*5C+AL+P OD4.7	BLACK(PVC JACKET)
F	SHRINK TUBE	5	φ1.5*7mm	BLACK
E	OVER MOLD	1	TPU	BLACK
D	O-RING	1	VITON	BLACK
C	NUT	1	C3604	NICKEL PLATING 100u"
B	MALE PIN	5	BRASS	1u" GOLD PLATING OVER NICKEL PLATING
A	BODY	1	TPU	BLACK
UNLESS OTHERWISE SPECIFIED TOLERANCES		SINGATRON Enterprise Co., Ltd. 信晉企業股份有限公司		
DECIMALS: ANGLES:		TITLE M8 SERIES MALE CONN. (5PIN)		
X	:±0.5 X :±2'	DWN Lin PART NO. 2ME3012-W05217H		
XX	:±0.3 X.X :±1'	CHKD Harden SCALE 2:1 UNIT: mm		
X.XX	:±0.2	APVD Steve SIZE: A3 SHEET: 1 OF 1 REV: B		
CUSTOMER COPY				