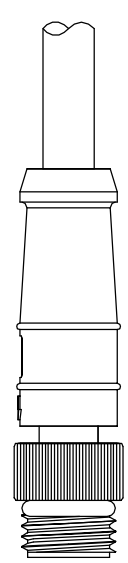
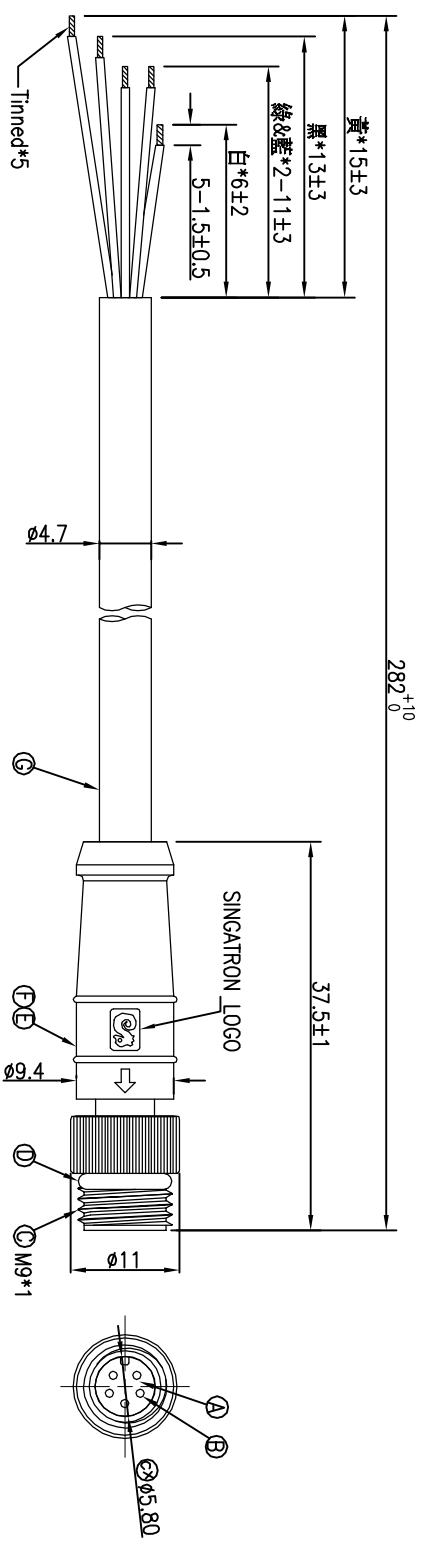
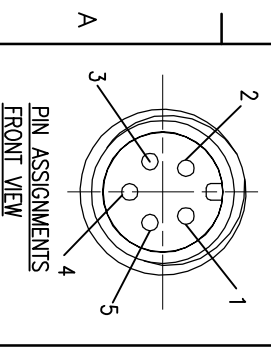


REV.	ECN NO	OR DESCRIPTION	REVISED	DATE
A	PDR NO.: S160114-10B	Vicky	2016.01.08	



5	YELLOW
4	BLUE
3	WHITE
2	GREEN
1	BLACK
CONN.	WIRE COLOR



NOTES:

1. WATERPROOF RATE: IP65
2. ELECTRICAL CHARACTERISTICS
TEMPERATURE RANGE: -20°C TO +80°C
RATING: 60V AC/DC 2A
3. SPECIFICATIONS: SEE "M8 SERIES SPECIFICATIONS".
4. TO CONFORM TO SINGATRON HAZARDOUS SUBSTANCE FREE SPEC.
5. GREEN PRODUCT IDENTIFICATION LABEL ON PACKAGING:

G	CABLE	1	NONUL 24#*5C+AL+P OD4.7	BLACK(PVC JACKET)
F	SHRINK TUBE	5	φ1.5*7mm	BLACK
E	OVER MOLD	1	TPU	BLACK
D	O-RING	1	VITON	BLACK
C	NUT	1	C3604	NICKEL PLATING 100u"
B	MALE PIN	5	BRASS	1u" GOLD PLATING OVER NICKEL PLATING
A	BODY	1	TPU	BLACK
NO	DESCRIPTION	QTY	MATERIAL	PLATING & COLOR
UNLESS OTHERWISE SPECIFIED TOLERANCES				
Singatron Enterprise Co., Ltd. 信晉企業股份有限公司				
TITLE		M8 SERIES MALE CONN. (SPIN)		
DWN	Vicky	PART NO.	2ME3012-W05223H	
CHKD	Harten	SCALE	2:1	UNIT: mm
APVD	Steve	SIZE: A3	SHEET: 1 OF 1	REV: A

CUSTOMER COPY