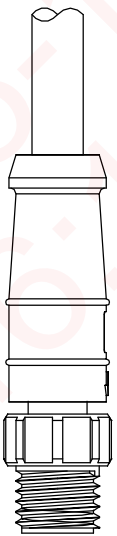
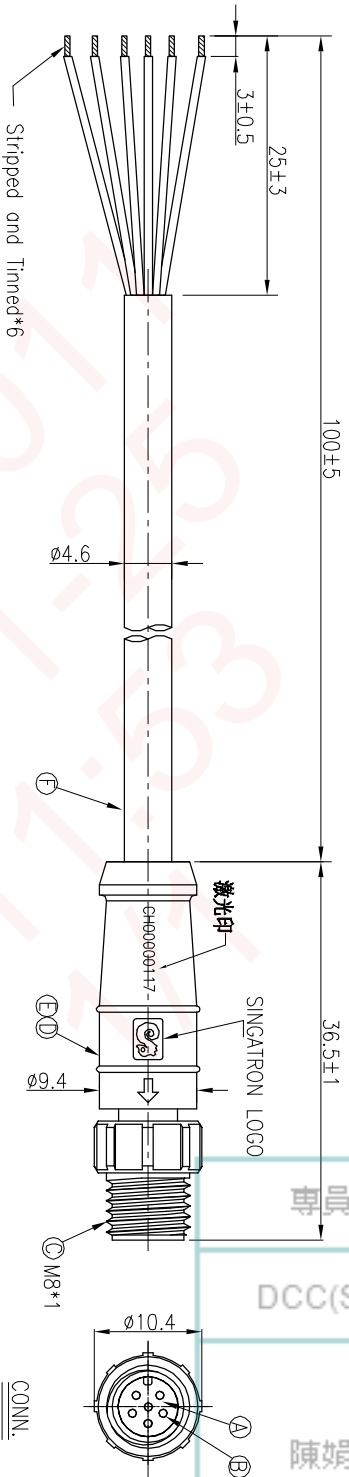
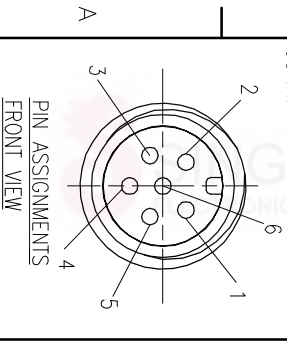


REV.	ECN NO.	OR DESCRIPTION	REVISED	DATE
A	PDR NO.:T150506-4B		Vicky	2015.05.06
B	ECN NO.:S150864-R		Vicky	2015.08.31
C	ECN NO.:S151130-R		Vicky	2015.11.18



6	GREEN
5	YELLOW
4	ORANGE
3	RED
2	BROWN
1	BLACK
CONN.	WIRE COLOR



NOTES:

1. WATERPROOF RATE: IP65
2. ELECTRICAL CHARACTERISTICS
TEMPERATURE RANGE: -20°C TO +80°C
RATING: 60V AC/DC 2A
3. SPECIFICATIONS: SEE "M8 SERIES SPECIFICATIONS".
4. TO CONFORM TO SINGATRON HAZARDOUS SUBSTANCE FREE SPEC.
5. GREEN PRODUCT IDENTIFICATION LABEL ON PACKAGING: **RoHS**

F	CABLE	1	UL2464 28#*6C+AL UV OD 4.6	BLACK(PVC70P JACKET)
E	SHRINK TUBE	6	Ø1.5*7mm 105° 300V	BLACK
D	OVER MOLD	1	TPU	BLACK
C	NUT	1	PA66+35%GF	BLACK
B	MALE PIN	6	BRASS	GOLD PLATING OVER NICKEL PLATING
A	BODY	1	TPU	BLACK
NO	DESCRIPTION	QTY	MATERIAL	PLATING & COLOR
UNLESS OTHERWISE SPECIFIED TOLERANCES				
Singatron Enterprise Co., Ltd. 信登企業股份有限公司				
TITLE: M8 SERIES MALE CONN. (6PIN)				
DWN	Vicky	PART NO.:2ME3012-W06209H	SCALE 2:1	UNIT: mm
CHKD	Horlen	SIZE: A3	SHEET: 1 OF 1	REV: C
APVD	Steve	CUSTOMER COPY		