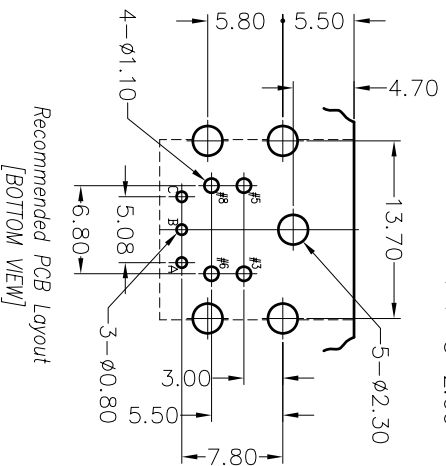
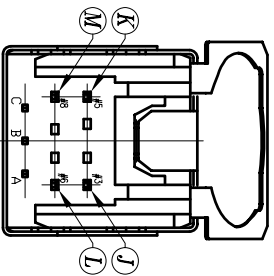
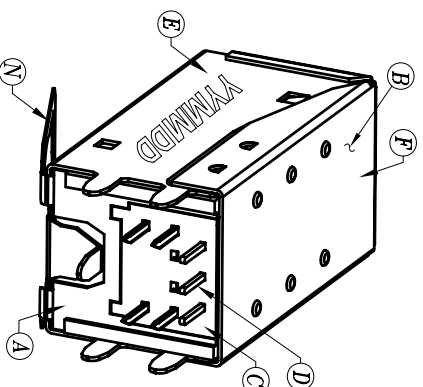
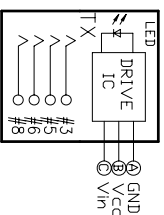
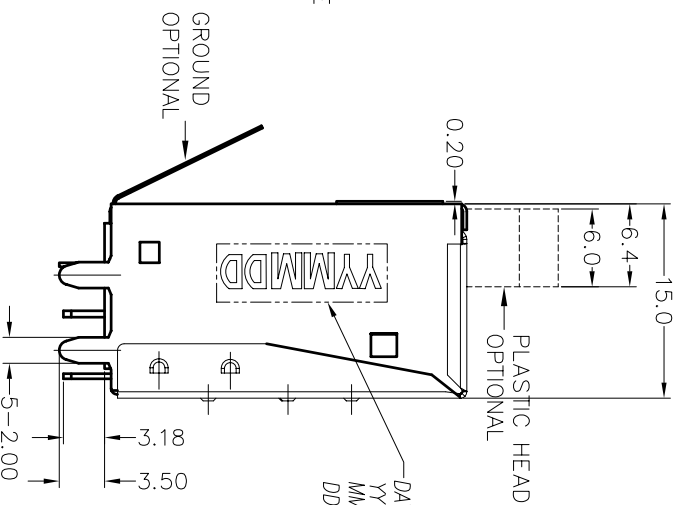
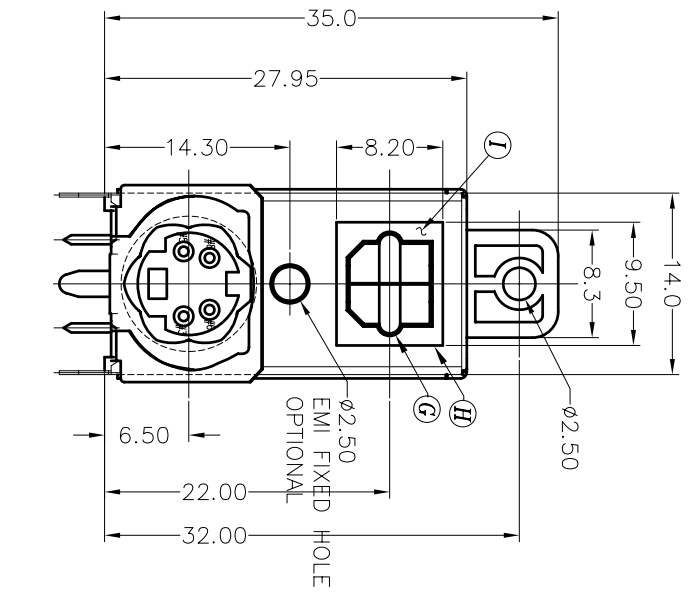


| REV. | ECN NO. | OR DESCRIPTION | REVISED | DATE |
|------|-----------------|----------------|---------|------------|
| F | ECN NO. T060355 | | BERYL | 2006.12.1 |
| G | ECN NO. T070105 | | EVEN | 2007.4.3 |
| H | ECN NO. T090047 | | AMYC | 2009.07.17 |

- SPECIFICATIONS:
1. SEE 2M-0111 SERIES SPEC.
 2. SOLDER HEAT RESISTANCE: WAVE SOLDERING 260°C 10 SECS.
 3. TO CONFORM TO SINGATRON HAZARDOUS SUBSTANCE FREE SPEC.
 4. GREEN PRODUCT IDENTIFICATION LABEL IN PACKING: **[GR-PASS]**
 5. SOLDERABILITY AND MAX. SOLDER TEMPERATURE ACCORDING ICP/JEDEC J-STID-020C.

DATE CODE (BLACK COLOR)
 YY : Year 07
 MM : Month(01~12)
 DD : Day (01~31)



PART NO.
2M-0111-X01

SEE "TABLE 1"

TABLE 1

| OPTIONAL ITEMS | PLASTIC HEAD | GROUND | EMI FIXED HOLE | DATE CODE |
|----------------|--------------|--------|----------------|-----------|
| PART NO. | | | | |
| 2M-0111-001 | ○ | ○ | ○ | ○ |
| 2M-0111-101 | ○ | ○ | ○ | |
| 2M-0111-201 | ○ | ○ | ○ | |
| 2M-0111-301 | ○ | ○ | ○ | |

Recommended PCB Layout
[BOTTOM VIEW]

| N | GROUND | 1 | SUS 301 0.2t | |
|----|---------------|-----|----------------------|--|
| M | CONTACT #8 | 1 | PHOSPHOR BRONZE 0.2t | |
| L | CONTACT #6 | 1 | PHOSPHOR BRONZE 0.2t | GOLD PLATING, 15u" ON MATING AREA, TIN PLATING ON SOLDER TAILS |
| K | CONTACT #5 | 1 | PHOSPHOR BRONZE 0.2t | |
| J | CONTACT #3 | 1 | PHOSPHOR BRONZE 0.2t | |
| I | COIL SPRING | 2 | SUS 301 | |
| H | FRAME | 1 | PA66 UL 94V-0 | BLACK COLOR |
| G | GATE | 2 | PA66 UL 94V-0 | GREEN COLOR |
| F | BACK SHIELD | 1 | BRASS 0.3t | NICKEL PLATING |
| E | 3-SHIELD | 1 | BRASS 0.3t | TIN PLATING |
| D | DRIVE IC/TX | 1 | | |
| C | COVER | 1 | PBT UL 94V-0 | BLACK COLOR |
| B | MINOR HOUSING | 1 | PBT UL 94V-0 | BLACK COLOR |
| A | HOUSING | 1 | PBT UL 94V-0 | BLACK COLOR |
| NO | DESCRIPTION | QTY | MATERIAL | PLATING & COLOR |

UNLESS OTHERWISE SPECIFIED TOLERANCES

Singatron Enterprise Co., Ltd.
信益企業股份有限公司

| TITLE | STACKED JACK/FULLY SHIELDED(MD 4P/ OPTO JACK) |
|-------|--|
| DWN | AMC 2003/07/17 PART NO. 2M-0111-X01 |
| CHKD | JOHNSON 2003/07/20 SCALE:5/2 UNIT: mm |
| APVD | JOHNSON 2003/07/20 SIZE: A3 SHEET: 1 OF 1 REV: H |

CUSTOMER COPY