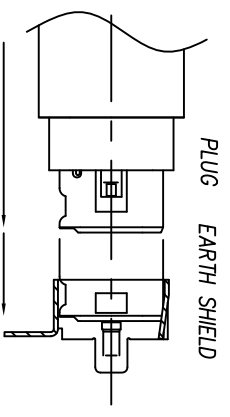
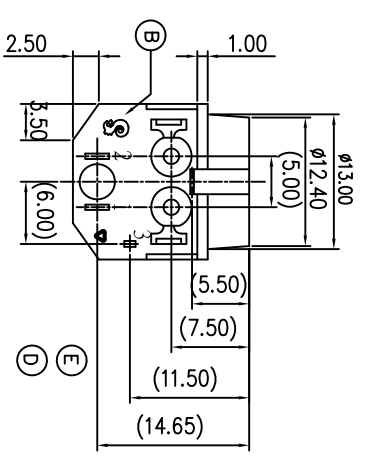
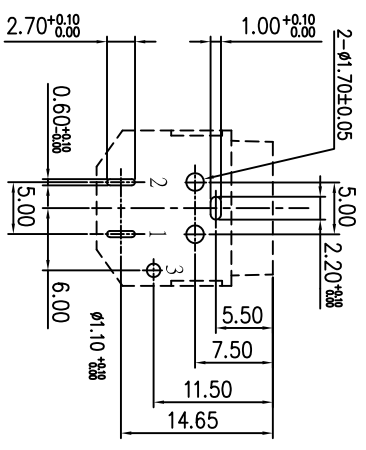
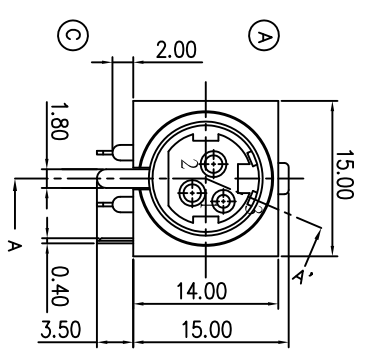
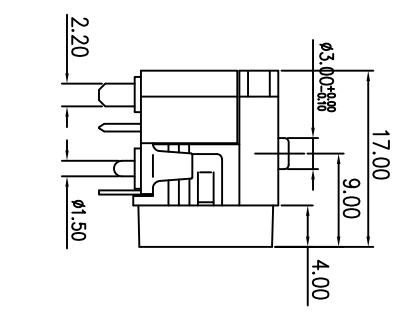
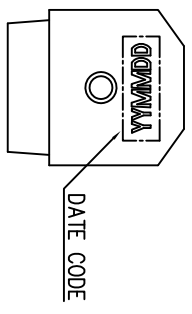
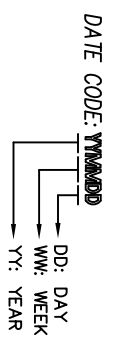


REV.	ECN NO.	OR DESCRIPTION	REVISED	DATE
D	ECN NO. T060242		LIAO	2006.08.14
E	PTU THE DRAWING IN ORDER		Steven-hui	2008.08.11
F	ECN No. C130078 update drawing		ZLS	2013.04.26



PCB LAYOUT  
(SOLDER SIDE)  
TOLERANCE: ±0.05

- SPECIFICATIONS:
1. SEE "SPEC. OF 2MJ-0401 SERIES".
  2. SOLDER HEAT RESISTANCE: WAVE SOLDERING 260°C 10 SECS.
  3. TO CONFORM TO SINGATRON HAZARDOUS SUBSTANCE FREE SPEC
  4. GREEN PRODUCT IDENTIFICATION MARK IN JACK:
  5. GREEN PRODUCT IDENTIFICATION LABEL ON PACKAGING: **G.P. PASS**
  6. FOR WAVE SOLDERING LEAD-FREE PROCESS.
  8. PRINTED DATE CODE "YMAAD" ON TOP OF CONNECTOR.



NO	DESCRIPTION	QTY	MATERIAL	PLATING & COLOR
E	CONTACT TERMINAL	1	C5191-H 0.2T	SILVER PLATING
D	CONTACT TERMINAL	2	C5191-H,T=0.3mm	SILVER PLATING
C	EARTH SHIELD	1	C2680-H,T=0.4mm	NICKEL PLATING
B	COVER	1	PBT+15% GF, UL94V-0	BLACK COLOR
A	BODY	1	PBT+15% GF, UL94V-0	BLACK COLOR

UNLESS OTHERWISE SPECIFIED TOLERANCES

DECIMALS: ANGLES:

X : ±0.5 X : ±2°  
 X.X : ±0.3 X.X : ±1°  
 X.XX : ±0.2

TITLE	3P SOCKET		
DWN	ZLS 13/5/2	PART NO. 2MJ-0401A110	
CHKD	ZUZ 13/5/2	SCALE 2:1	UNIT: mm
APVD	Liao 13/5/2	SIZE: A4	SHEET: 10F1
CUSTOMER COPY			

Singatron Enterprise Co., Ltd.  
信晉企業股份有限公司