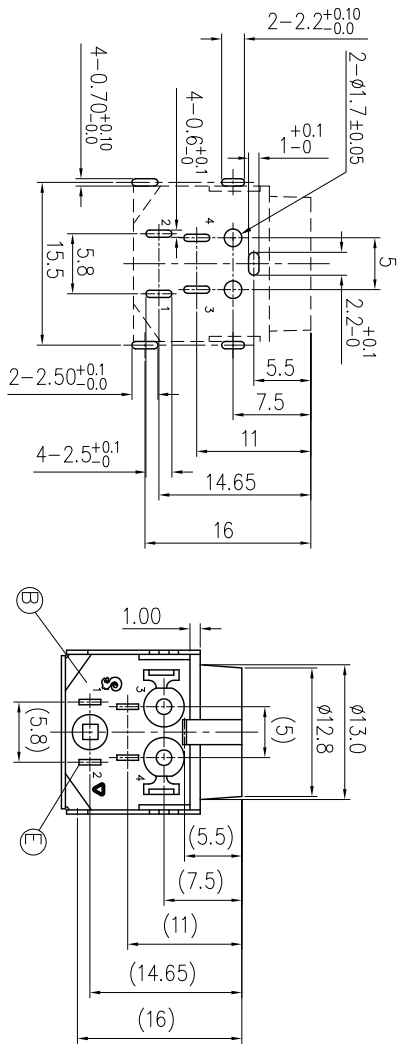
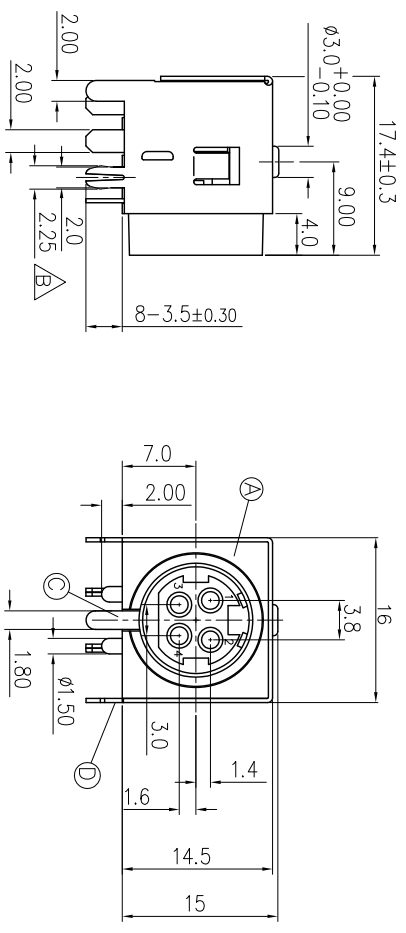
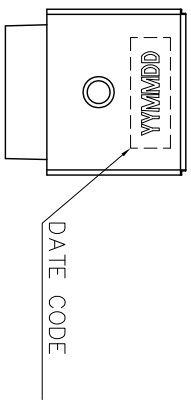


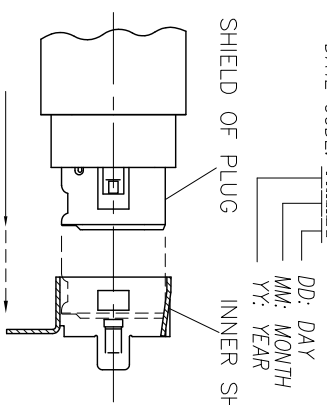
REV	EON NO OR DESCRIPTION	REVISED	DATE
A	EON: C120050 UPDATE DRAWING	DAOWEN	2012.04.30
B	EON: C130107 MODIFY SHELL HOOK WIDTH	ZJK	2013.06.20
C	EON: C140215 UPDATE DRAWING	CAOCHEN	2014.10.20



RECOMMENDED PCB LAYOUT
(TOP VIEW)(TOL. ±0.05) THK: 1.2mm

SPECIFICATIONS:

1. SOLDER HEAT RESISTANCE: REFLOW SOLDERING 270° FOR 5 SECOND
2. MARKING: MARK "G" ON REAR OF CONNECTOR.
3. TO CONFORM TO SINGATRON HAZARDOUS SUBSTANCE FREE SPEC
4. GREEN PRODUCT IDENTIFICATION MARK ON JACK
5. GREEN PRODUCT IDENTIFICATION LABEL ON PACKAGING: **G.P. PASS**
6. FOR REFLOW SOLDERING LEAD-FREE PROCESS.
7. PRINTED DATE CODE "MMDD" ON TOP OF CONNECTOR.



A-A SECTION OF INNER SHIELD

NO	DESCRIPTION	QTY	MATERIAL	PLATING & COLOR
E	CONTACT TERMINAL	4	PHOSPHOR BRONZE 0.3T	SILVER PLATING
D	OUTER SHIELD	1	STEEL	SOLDERABLE NICKEL
C	INNER SHIELD	1	BRASS 0.4T	NICKEL PLATING
B	COVER	1	HIGH TEMP THERMOPLASTIC	BLACK COLOR
A	BODY	1	HIGH TEMP THERMOPLASTIC	BLACK COLOR

UNLESS OTHERWISE SPECIFIED TOLERANCES

Singatron Enterprise Co., Ltd.
信登企業股份有限公司

TITLE	4P SOCKET
DECIMALS:	ANGLES:
X : ±0.5	X : ±2°
X.X : ±0.3	X.X : ±1°
X.XX : ±0.2	
DWN	14/02/23
CHKD	14/02/23
APVD	14/02/23
PART NO. 2MJ-0402-013	
SCALE 2:1 UNIT: mm	
SIZE: A3 SHEET: 10F1 REV: C	
CUSTOMER COPY	