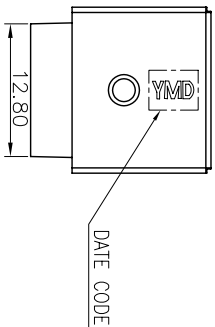
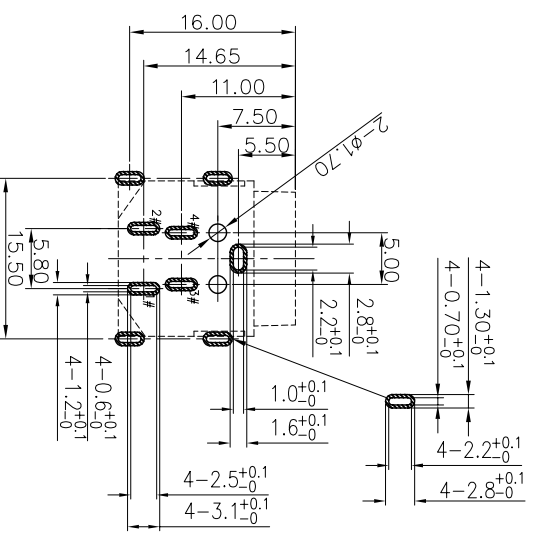
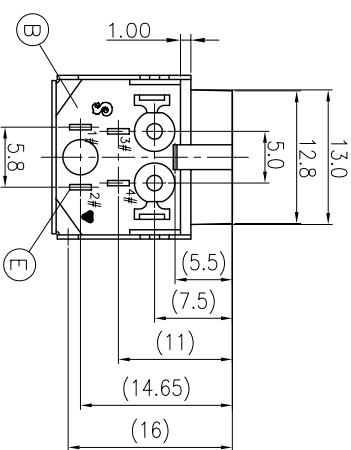
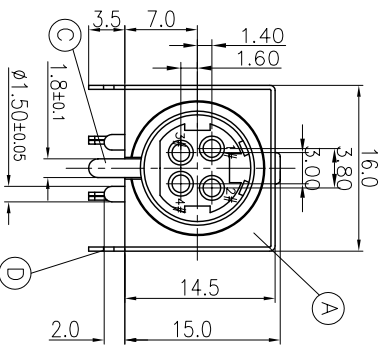
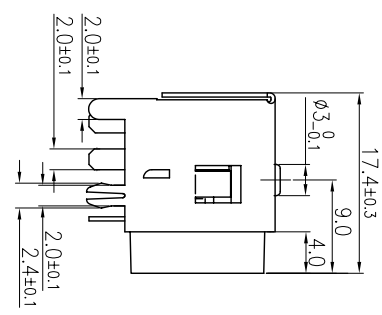


REV.	ECN NO.	OR DESCRIPTION	REVISED	DATE
A		PRODUCT RELEASE	Shunzhong	2019.12.13

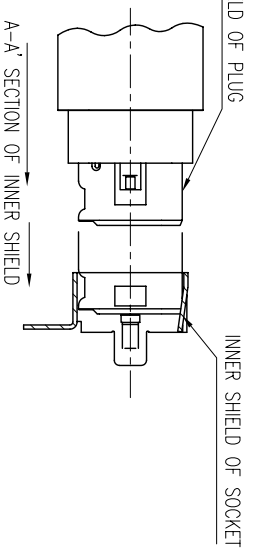


SPECIFICATIONS:

- ELECTRICAL CHARACTERISTICS:
 - RATING: 20V, 9A
 - CONTACT RESISTANCE: 30 MILLIOHMS Max. FOR INITIAL, 60 MILLIOHMS Max. AFTER 5000 CYCLES.
 - INSULATION RESISTANCE: 50 MEGOHMS Min. BY 250V DC AFTER 1 MINUTE.
 - DIELECTRIC WITHSTANDING VOLTAGE: 250V RMS AFTER 1 MINUTE.
- MECHANICAL CHARACTERISTICS:
 - INSERTION FORCE : 4.0KGF MAX
 - WITHDRAWAL FORCE : 0.5~3KGF
- LIFE TEST: 5,000 CYCLES MIN.
- OTHER GENERAL SPEC. TO REFER "ZMJ-0402A1M1H SPEC".
- TO CONFORM TO SINGATRON HAZARDOUS SUBSTANCE FREE SPEC.
- GREEN PRODUCT IDENTIFICATION MARK ON JACK
- GREEN PRODUCT IDENTIFICATION LABEL ON PACKAGING: **G.P. PASS**
- PRINTED DATE CODE "Y M D" ON TOP OF CONNECTOR.



RECOMMENDED PCB LAYOUT
(TOP VIEW)(TOL. ±0.05)



NO	DESCRIPTION	QTY	MATERIAL	PLATING & COLOR
E	CONTACT TERMINAL	4	PHOSPHOR BRONZE 0.3T	Ag 15u" Min.
D	OUTER SHIELD	1	BRASS 0.4T	Ni 60u" Min.
C	INNER SHIELD	1	BRASS 0.4T	Ni 80u" Min.
B	COVER	1	PA9T UL94V-0	GREEN COLOR
A	BODY	1		

UNLESS OTHERWISE SPECIFIED TOLERANCES



Singatron Enterprise Co., Ltd.
信管企業股份有限公司

DECIMALS:	ANGLES:	TITLE	4P SOCKET		
X : ±0.5	X : ±2°	DWN	Shunzhong Yuan	PART NO.:	ZMJ-0402A1M1H
XX : ±0.3	XX : ±1°	CHKD	Store Zhu	SCALE:	1:1
XXX : ±0.2		APVD	Jim Deng	SIZE:	A3
				SHEET:	10F1
				REV:	A

CUSTOMER COPY