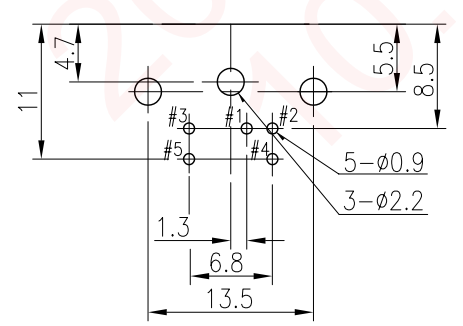
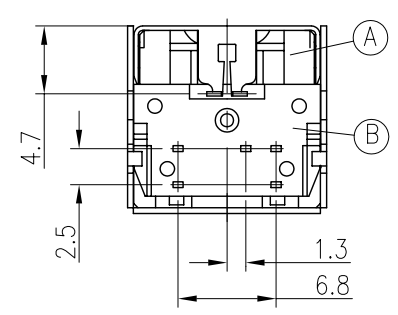
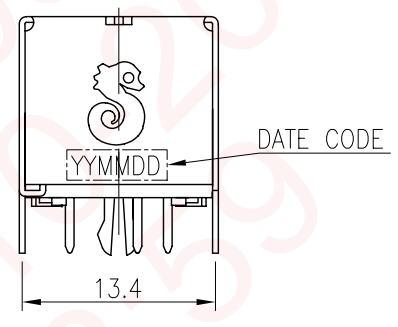
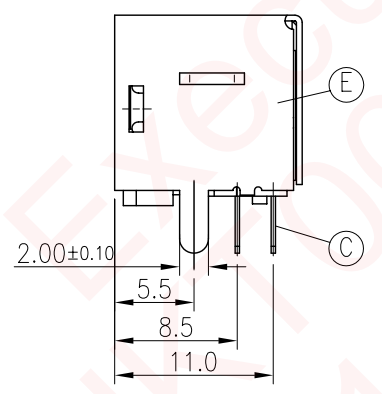
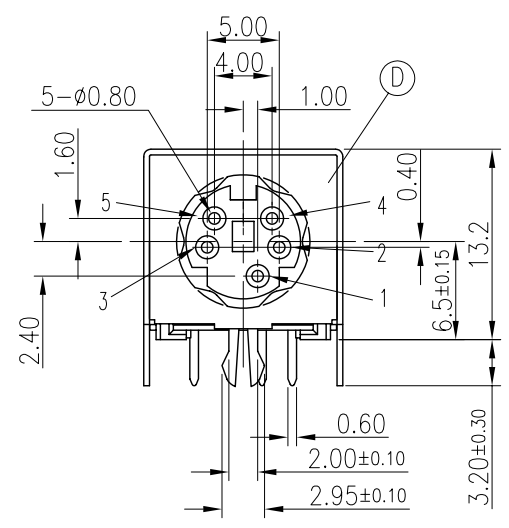
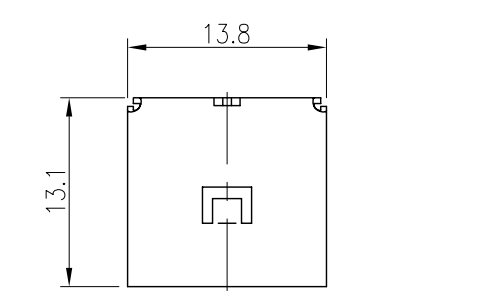


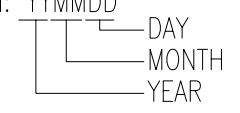


| REV. | ECN NO OR DESCRIPTION            | REVISED | DATE       |
|------|----------------------------------|---------|------------|
| A    | PRODUCT RELEASE                  | CHEN    | 2015.12.23 |
| B    | ECN NO.:C16085<br>UPDATE DRAWING | CHENEY  | 2016.10.11 |



RECOMMEND P.C.B LAYOUT  
TOP VIEW(TOLERANCES:±0.05)

- CURRENT CARRYING CAPACITY:  
1-1. DC:12V 3A MAX.
- CONTACT RESISTANCE:  
2-1. INITIAL, BEFORE LIFE CYCLE TEST.  
PIN TO CONTACT: 30mΩ MAX.  
PLUG SHIELD TO CONNECTOR: 50mΩ MAX.  
2-2.AFTER LIFE CYCLE TEST.  
PIN TO CONTACT: 80mΩ MAX.  
PLUG SHIELD TO CONNECTOR: 100mΩ MAX.
- INSULATION RESISTANCE:  
BETWEEN ANY ADJACENT OPEN CONTACTS SHALL NOT BE LESS THAN 100MΩ AT 250V DC INSULATION RESISTANCE TEST.
- DIELECTRIC STRENGTH:  
A POTENTIAL OF 250V AC R.M.S. 50/60HZ SHALL BE APPLIED BETWEEN ANY OPEN CONTACTS FOR ONE MINUTE WITHOUT BREAKDOWN.
- INSERTION FORCE: 4.5Kg MAX.
- WITHDRAWAL FORCE: 0.8Kg - 3.5Kg.
- LIFE CYCLE TEST:  
CONNECTOR SHALL BE SUBJECT TO 5,000 CYCLES AT 10 TO 20 CYCLES PER MINUTE WITH NO ELECTRICAL LOAD.
- MARKING: MARK "S" ON REAR OF CONNECTOR.
- TO CONFORM TO THE SINGATRON HSF SPEC.
- HALOGEN FREE PRODUCT IDENTIFICATION MARK ON JACK: Ⓞ
- HALOGEN FREE PRODUCT IDENTIFICATION LABEL ON PACKAGING:
- FOR REFLOW SOLDERING LEAD-FREE PROCESS.
- D/C DESCRIPTION: YYMMDD



| E                                     | SHIELDING B | 1   | SPCC-SD 0.4T                                 | NI 60u" MIN.    |
|---------------------------------------|-------------|---|--|-----------------|
| D                                     | SHIELDING A | 1   | C2680-H 0.3T                                 | NI 60u" MIN.    |
| C                                     | CONTACT     | 5   | C2680-H 0.3T                                 | Au 1u"~3u"      |
| B                                     | COVER       | 1   | PBT+15% GF UL 94V-0                          | BLACK           |
| A                                     | BODY        | 1   | PBT+15% GF UL 94V-0                          | BLACK           |
| NO                                    | DESCRIPTION | QTY   | MATERIAL                                     | PLATING & COLOR |
| UNLESS OTHERWISE SPECIFIED TOLERANCES |             |   | Singatron Enterprise Co., Ltd.<br>信音企業股份有限公司 |                 |
| DECIMALS:                             |             | TITLE                                       |  |                 |
| X                                     | :±0.5       | MINIATURE DIN CONNECTOR(WITH GROUND FINGER) |  |                 |
| X.X                                   | :±0.3       | DWN   | PART NO. 2MJ-1513A120F                       |                 |
| X.XX                                  | :±0.2       | CHKD  | SCALE 1:1                                    | UNIT: mm        |
|                                       |             | APVD  | SIZE:A3                                      | SHEET: 10F1     |
|                                       |             |   |  | REV: B          |
| CUSTOMER COPY                         |             |   |  |                 |