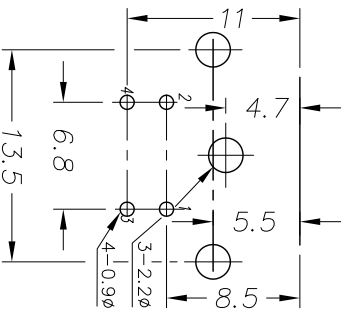
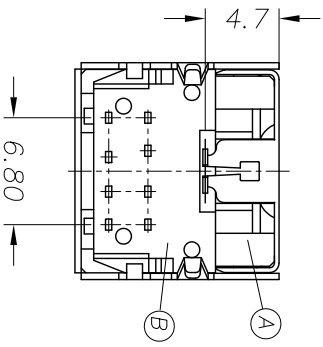


DATE CODE



PCB LAYOUT
(SOLDER SIDE)

SPECIFICATIONS:

- CURRENT CARRYING CAPACITY:
 - 1) AC:100V 1A MAX.
 - 2) DC:12V 3A MAX.
- CONTACT RESISTANCE:
 - 1) INITIAL, BEFORE LIFE CYCLE TEST. PIN TO CONTACT: 30mΩ MAX.
 - 2) AFTER LIFE CYCLE TEST. PIN TO CONTACT: 50mΩ MAX.
- INSULATION RESISTANCE: OPENCONTACTS SHALL NOT BE LESS THAN 100MΩ AT 250V DC INSULATION RESISTANCE TEST.
- DIELECTRIC STRENGTH:
 - A POTENTIAL OF 250V AC R.M.S./50/60HZ SHALL BE APPLIED BETWEEN ANY OPEN CONTACTS FOR ONE MINUTE WITHOUT BREAKDOWN.
- INSERTION FORCE: 4.5Kg MAX.
- WITHDRAWAL FORCE: 0.8Kg ~ 3.5Kg.
- SINGLE CONTACT MAINTENANCE FORCE: 30g MIN. BETWEEN EACH CONTACT AND MATCHING PIN (0.6±0.09DIA).
- LIFE CYCLE TEST:
 - CONNECTOR SHALL BE SUBJECT TO 5,000 CYCLES AT 10 TO 20 CYCLES PER MINUTE WITH NO ELECTRICAL LOAD.
 - MARKING: MARK ON REAR OF CONNECTOR.
 - TO CONFORM TO THE "SE-01-001" & "ROHS DIRECTIVE"
 - GREEN PRODUCT IDENTIFICATION LABEL ON PACKAGING: **[G.P. PASS]**
 - FOR LEAD-FREE PROCESS.
 - D/C DESCRIPTION: YYMMDD



REV	ECN NO.	OR DESCRIPTION	REVISED	DATE
H	在ECR(C070238)要求,依原物料及SOP修正圖面D/C方向或增加D/C標識	JUN HUA	10/30/07	
I	ECN NO.: C070238-1/2	KENSON	2009.8.24	
J	ECN NO.: 10900047 ECON-251X411C 取消標識 2M1-2511/3/4/5/6/11C	HAODU	2010.5.21	

E	SHIELDING B	1	SPCC-S0.040T	TIN ALLOY PLATING
D	SHIELDING A	1	C2680-H.0.30T	TIN ALLOY PLATING
C	CONTACT	4	C2680-H.0.30T	SILVER PLATING
B	COVER	1	PBT+15% GF UL 94V-0	BLACK COLOR
A	BODY	1	PBT+15% GF UL 94V-0	BLACK COLOR
NO	DESCRIPTION	QTY	MATERIAL	PLATING & COLOR

UNLESS OTHERWISE SPECIFIED TOLERANCES

Singatron Enterprise Co., Ltd.
信登企業股份有限公司

DECIMALS:	ANGLES:	TITLE	DC POWER JACK
X : ±0.5	X : ±2°	DWN	Part No. 2M1-2512A11C
X.X : ±0.3	X.X : ±1°	CHKD	Scale 3:1 Unit: mm
X.XX : ±0.2		APVD	Size: A3 Sheet: 1 of 1 Rev: J

CUSTOMER COPY