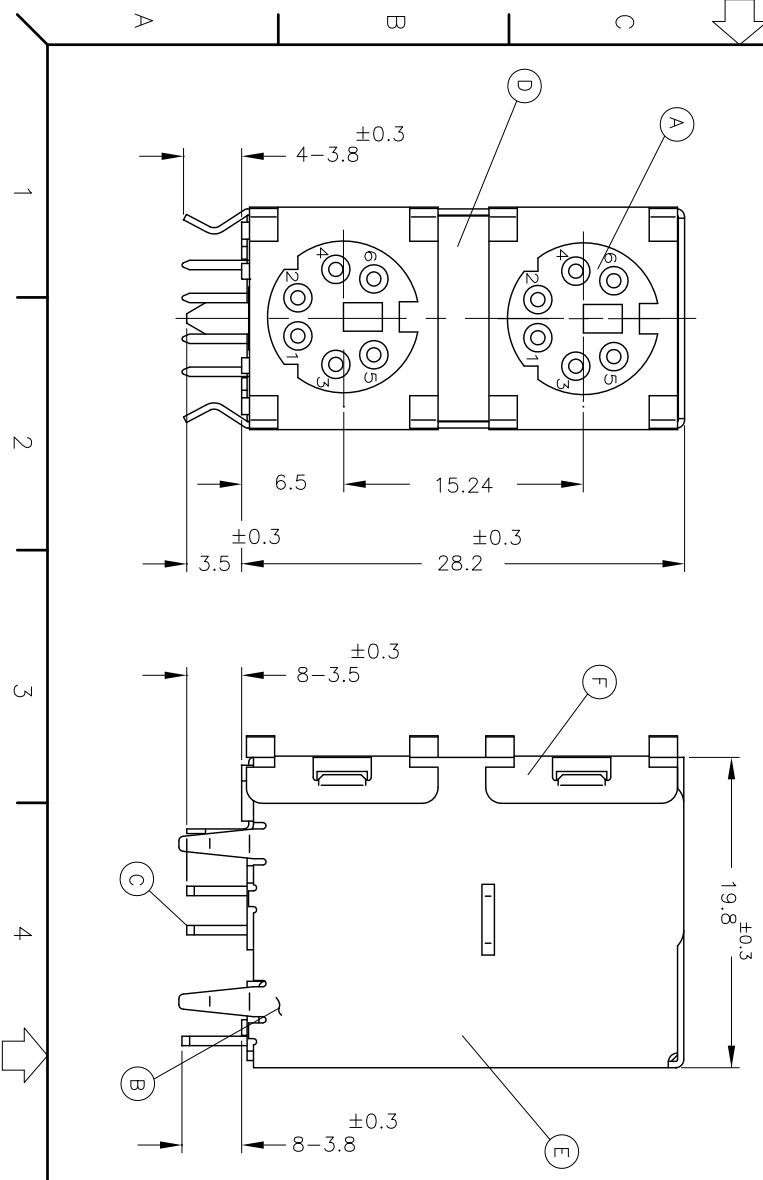
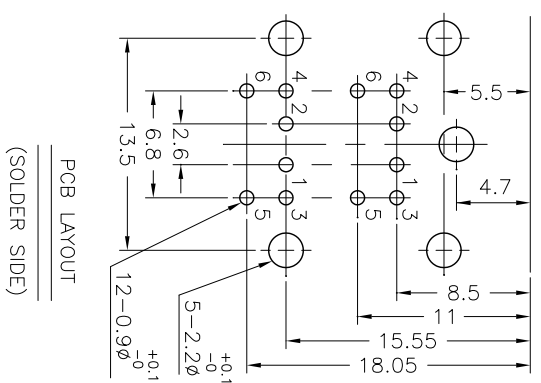
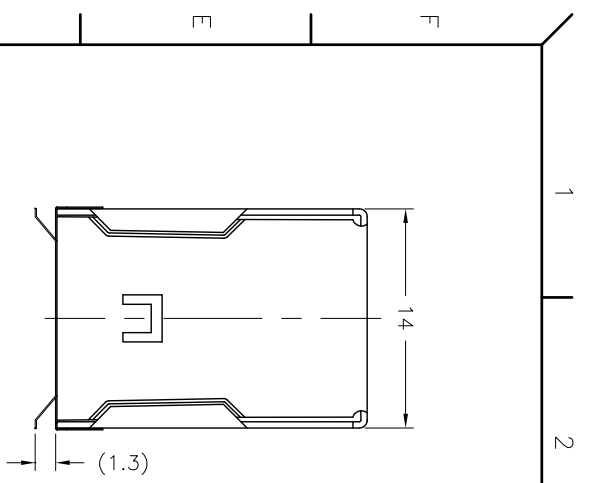


REV.	ECN NO.	OR DESCRIPTION	REVISED	DATE
C	ECN NO.:T0900047		KENSON	2009.8.24
D	ECN NO.:109000471 2MJ-2524U11B 2U FOR RA, 1: 2MJ-2521/2/3/5/6U11B		HAODU	2010.05.08



NOTE:
 1. SPECIFICATIONS: SEE 2MJ-0526 SERIES SPECIFICATIONS.
 2. MARKING: MARK "Ⓢ" ON REAR OF CONNECTOR.

F	GROUNDING SPRING	2	STAINLESS STEEL 0.1t	NO
E	SHIELDING B	1	SPCC 0.4t	TIN ALLOY PLATING
D	SHIELDING A	1	BRASS 0.3t	TIN ALLOY PLATING
C	CONTACTOR	12	COPPER ALLOY 0.3t	GOLD FLASH ON MATING AREA, TIN ALLOY PLATING ON SOLDER TAILS, ALL OVER NICKEL PLATING.
B	COVER	1	PBT UL 94V-0	BLACK COLOR
A	BODY	1	PBT UL 94V-0	BLACK COLOR
NO	DESCRIPTION	QTY	MATERIAL	PLATING & COLOR
UNLESS OTHERWISE SPECIFIED TOLERANCES				
Singatron Enterprise Co., Ltd. 信亨企業股份有限公司				
TITLE: DC POWER JACK				
DWG: H406.1000703 PART NO. 2MJ-2524U11B				
CHKD: ZYX.10000703 SCALE: 3:1 UNIT: mm				
APVD: H406.1000703 SIZE: A3 SHEET: 1 OF 1 REV: D				
CUSTOMER COPY				

DECIMALS:	ANGLES:
X :±0.5	X :±2°
X.X :±0.3	X.X :±1°
X.XX :±0.2	