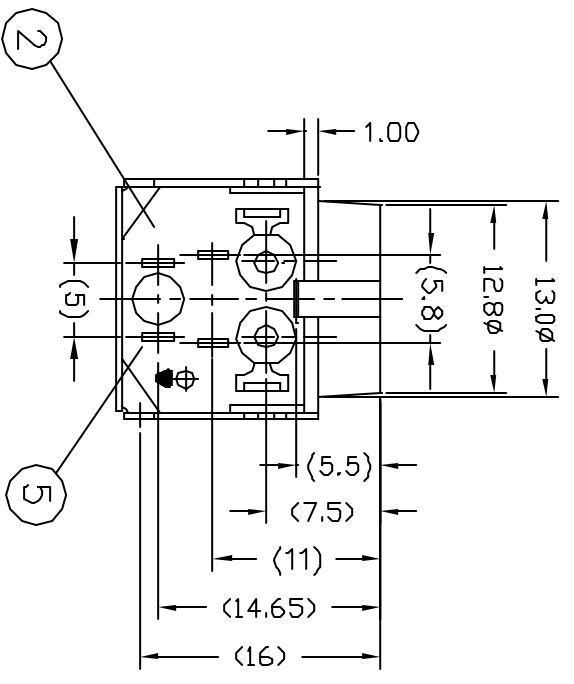
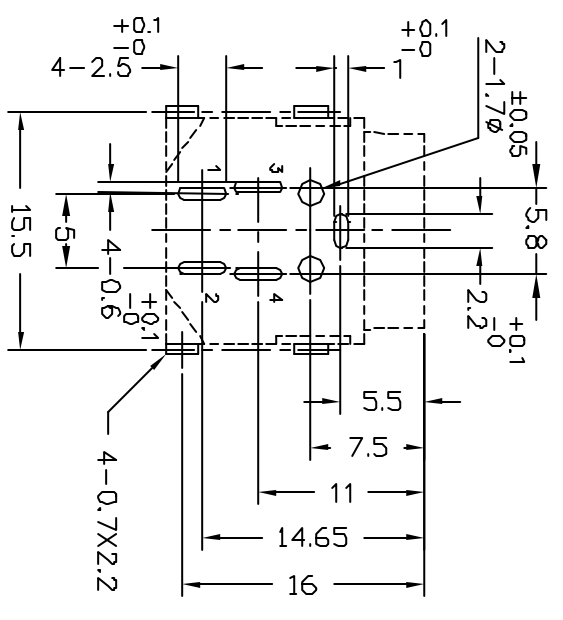
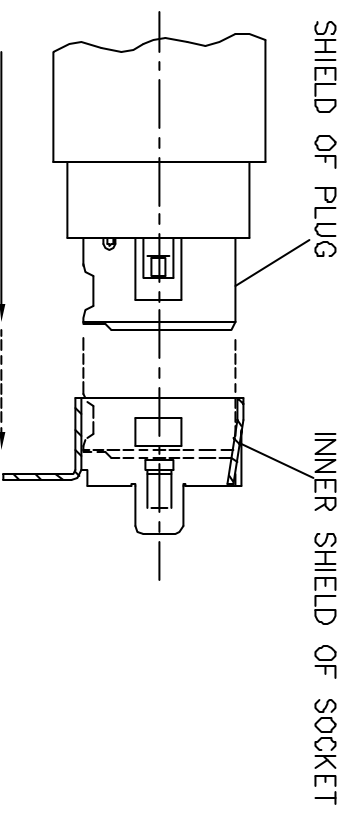
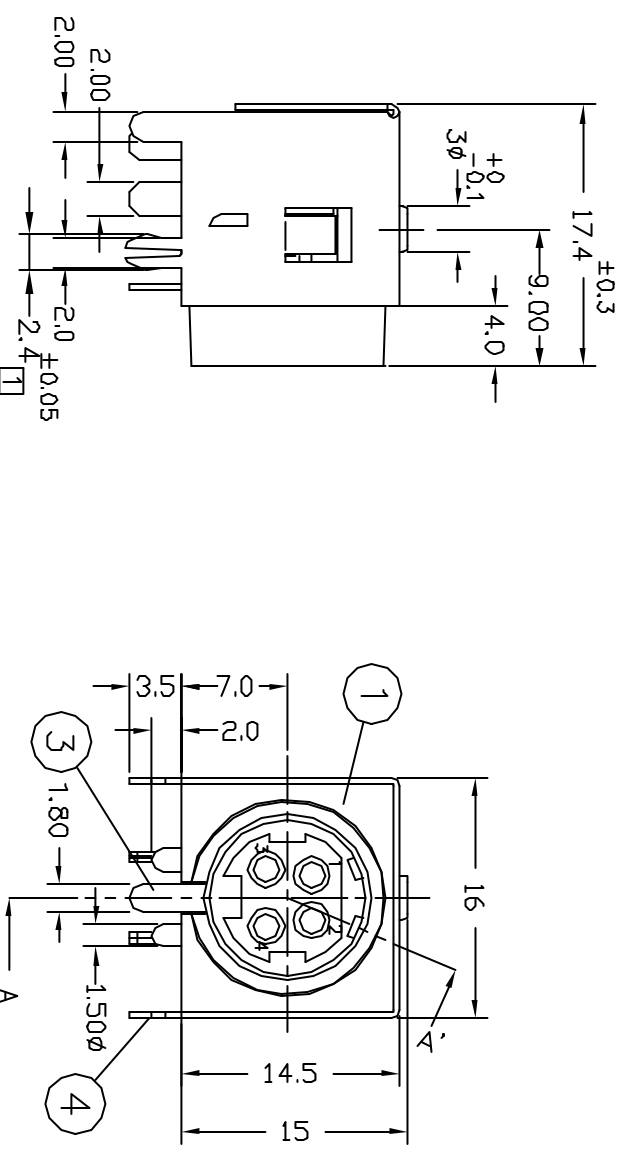


REV.	ECN NO OR DESCRIPTION	REVISED	DATE
B	增加環保標記號	Connie	1/13/14

REMARK:
 1. SPECIFICATIONS: SEE "SPEC. OF 2MJ-0402 SERIES".
 2. MARKING: MARK "SS" ON REAR OF CONNECTOR.
 3. MARK "●" ON BOTTOM OF CONNECTOR IS TO CONFORM WITH "SONY SS-00259"



PCB LAYOUT
 (SOLDER SIDE)
 TOLERANCE: ±0.05

NO	DESCRIPTION	QTY	MATERIAL	PLATING & COLOR
5	CONTACT TERMINAL	4	PHOSPHOR BRONZE 0.3t	SILVER PLATING
4	OUTER SHIELD	1	BRASS 0.4t	TIN ALLOY PLATING
3	INNER SHIELD	1	BRASS 0.4t	NICKEL PLATING
2	COVER	1	PBT UL 94V-0	BLACK COLOR
1	BODY	1	PBT UL 94V-0	BLACK COLOR
NO	DESCRIPTION	QTY	MATERIAL	PLATING & COLOR

UNLESS OTHERWISE SPECIFIED TOLERANCES

Singatron Enterprise Co., Ltd.
 信音企業股份有限公司

TITLE	4P SOCKET	
DWN	DATE: 1/14/14	PART NO. 2MJ-3422A120
CHKD	SCALE: 2/1	UNIT: MM
APVD	SIZE: A3	SHEET: 1 OF 2 REV: B