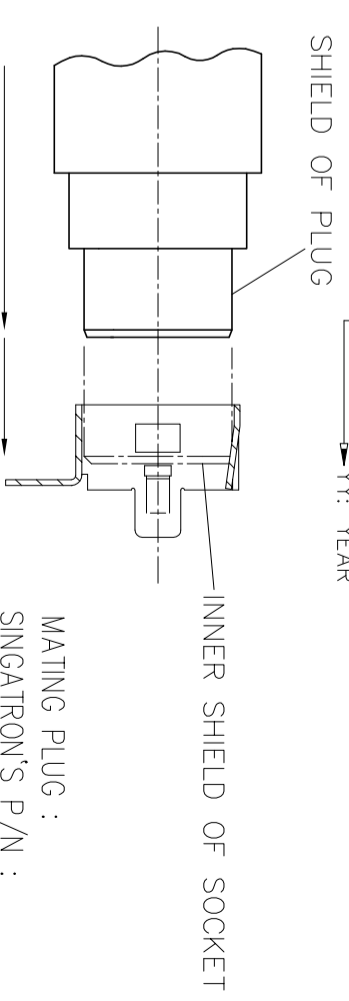


REV.	ECN NO OR DESCRIPTION	REVISED	DATE
F	ECN: C140134 ADD Waftage&Pin Define&Electrical Circuit	CAOCHEN	2014.06.13
G	ECN: C160012 MODIFY DRAWING	CAOCHEN	2016.02.26
H	ECR NO: C202104-R01	HuangYu	2021.06.23

SPECIFICATIONS:

- ELECTRICAL CHARACTERISTICS:
  - RATING: 20V 15A
  - CONTACT RESISTANCE: INITIAL 30mΩ MAX. AFTER LIFE TEST 60mΩ MAX.
  - DIELECTRIC WITHSTANDING VOLTAGE: 250V AC FOR ONE MINUTE.
  - INSULATION RESISTANCE: 100MΩ MIN. MEASURED BY 250V DC
- MECHANICAL CHARACTERISTICS:
  - INSERTION FORCE : 1.0~4.0 kgf (INITIAL / AFTER LIFE TEST)
  - WITHDRAWAL FORCE : 1.0~4.0 kgf(INITIAL / AFTER LIFE TEST)
  - LIFE TEST: 5,000 CYCLES
  - OTHER GENERAL SPEC. TO REFER "2MJ-3432 SERIES SPEC".
  - TO CONFORM TO SINGATRON HAZARDOUS SUBSTANCE FREE SPEC.
  - GREEN PRODUCT IDENTIFICATION LABEL ON PACKAGING:
  - GREEN PRODUCT IDENTIFICATION LABEL ON PACKAGING:
  - FOR REFLOW SOLDERING LEAD-FREE PROCESS.
  - PRINTED DATE CODE "YY MM DD" ON TOP OF CONNECTOR.

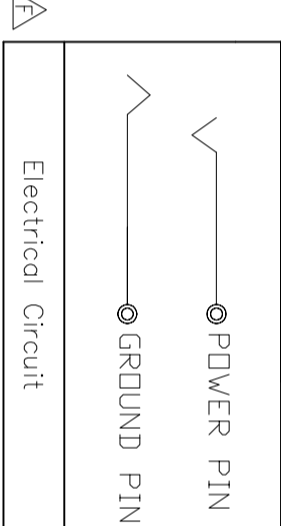


SECTION A-A OF INNER SHIELD

NO	DESCRIPTION	QTY	MATERIAL	PLATING & COLOR
E	OUTER SHIELD	1	COPPER ALLOY 0.4T	NICKEL PLATING
D	CONTACT PIN	4	COPPER ALLOY 0.3T	SILVER PLATING
C	INNER SHIELD	1	COPPER ALLOY 0.4T	NICKEL PLATING
B	COVER	1	HIGH TEMP. THERMAL	BLACK COLOR
A	BDDY	1	PLASTIC UL 94V-0	

RECOMMENDED PCB LAYOUT  
(TOP VIEW)(TOL. ±0.05)

PIN DEFINE			
PIN NO.	1#、2#、3#、4#	5#	6#、7#、8#、9#
SIGANL NAME	POWER PIN	GROUND PIN	SHELL



Singatron Enterprise Co., Ltd.  
**信音企業股份有限公司**

DECIMALS:	ANGLES:	TITLE
X : ±0.5	X : ±2°	DWN
X.X : ±0.3	X.X : ±1°	CHKD
X.XX : ±0.2		APVD

PART NO. 2MJ-3432-007

SCALE 2:1 UNIT: mm

SIZE: A3 SHEET: 1 OF 1 REV: H

CUSTOMER COPY