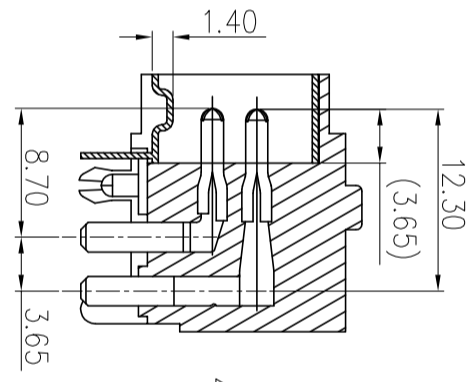
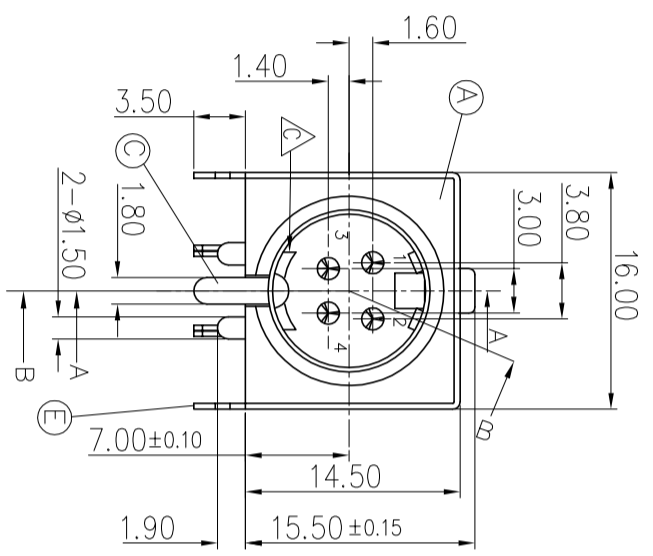
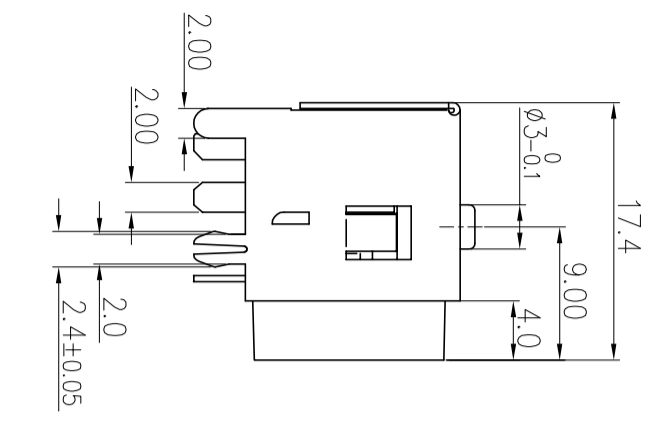
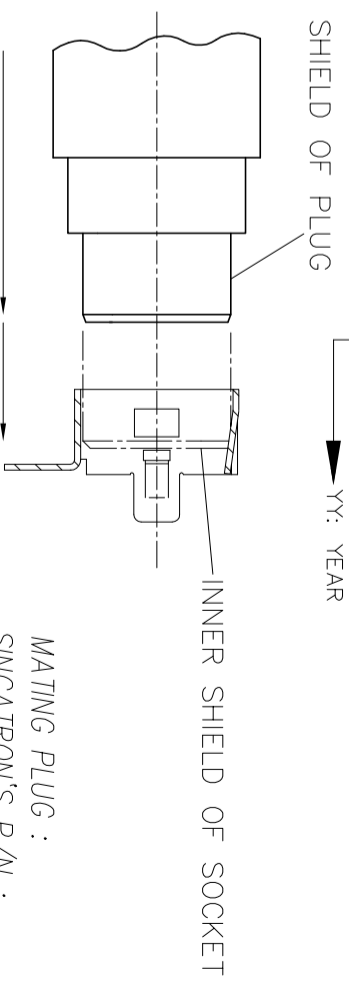


DATE CODE



A-A SECTION



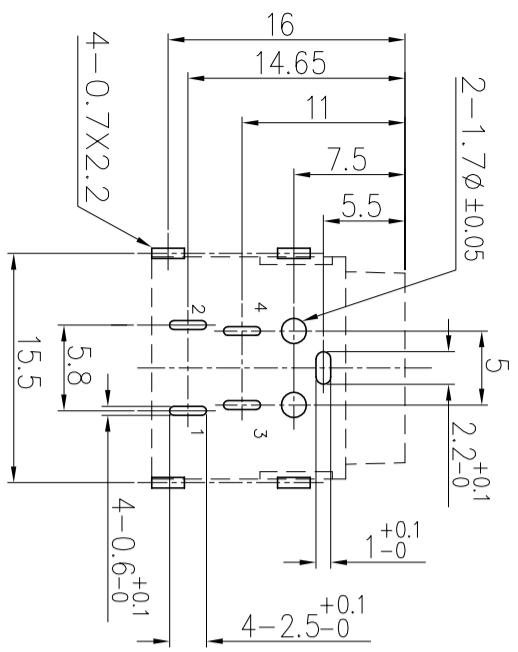
SECTION B-B OF INNER SHIELD

MATING PLUG :
SINGATRON'S P/N :
2MP-3432-001(PLUG SET)

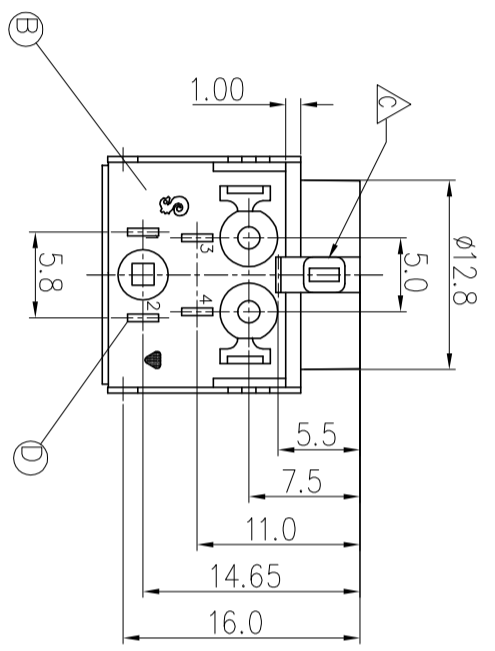
REV.	ECON NO OR DESCRIPTION	REVISED	DATE
B	ECON:C120050 UPDATE DRAWING	DAOMEN	2012.04.28
C	ECON:C160012 MODIFY DRAWING	CAOCHEN	2016.02.26
D	ECON NO: C202104-R01	HuangYu	2021.06.23

SPECIFICATIONS:

- ELECTRICAL CHARACTERISTICS:
 - RATING: 20V 7.5A
 - CONTACT RESISTANCE: INITIAL 30mΩ MAX.
 - DIELECTRIC WITHSTANDING VOLTAGE: 250V AC FOR ONE MINUTE.
 - INSULATION RESISTANCE: 100MΩ MIN. MEASURED BY 250V DC
- MECHANICAL CHARACTERISTICS:
 - INSERTION FORCE : 1.0~4.0 kgf (INITIAL / AFTER LIFE TEST)
 - WITHDRAWAL FORCE : 1.0~4.0 kgf(INITIAL / AFTER LIFE TEST)
- LIFE TEST: 5,000 CYCLES
- OTHER GENERAL SPEC. TO REFER "2MJ-3432 SERIES SPEC".
- TO CONFORM TO SINGATRON HAZARDOUS SUBSTANCE FREE SPEC.
- GREEN PRODUCT IDENTIFICATION LABEL ON PACKAGING:
- GREEN PRODUCT IDENTIFICATION LABEL ON PACKAGING:
- FOR REFLOW SOLDERING LEAD-FREE PROCESS.
- PRINTED DATE CODE"YY MM DD" ON TOP OF CONNECTOR.



RECOMMENDED PCB LAYOUT
(TOP VIEW)(TOL. ±0.05)



NO	DESCRIPTION	QTY	MATERIAL	PLATING & COLOR
E	OUTER SHIELD	1	STEEL	NICKEL PLATING
D	CONTACT PIN	4	COPPER ALLOY 0.3T	SILVER PLATING
C	INNER SHIELD	1	COPPER ALLOY 0.4T	NICKEL PLATING
B	COVER	1	HIGH TEMP. THERMAL PLASTIC UL 94V-0	BLACK COLOR
A	BDDY	1	PLASTIC	

Singatron Enterprise Co., Ltd.
信音企業股份有限公司

DECIMALS:	ANGLES:	TITLE
X : ±0.5	X : ±2°	4P SOCKET
XX : ±0.3	XX : ±1°	PART NO.2MJ-3432-008H
XX : ±0.2		SCALE 2:1 UNIT: mm
		SIZE: A3 SHEET: 1 OF 1 REV:D

CUSTOMER COPY