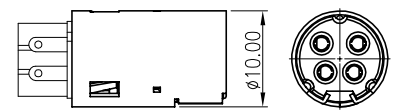


REV.	ECN NO OR DESCRIPTION	REVISED	DATE
A	PRODUCT RELEASE	CHEN	2015.12.08
B	ECN NO.C202007-R05	SHUNZHONG	2020.09.07

- SPECIFICATIONS:**
- ELECTRICAL CHARACTERISTICS:**
 - 1-1. RATING: 20V 18A
 - 1-2. CONTACT RESISTANCE: POWER PIN(+/-) 5mΩ MAX./PER PIN EARTH / SIGNAL PIN 30mΩ MAX.
 - 1-3. DIELECTRIC WITHSTANDING VOLTAGE: 500V AC FOR ONE MINUTE.
 - 1-4. INSULATION RESISTANCE: 100MΩ MIN. MEASURED BY 500 VDC
 - MECHANICAL CHARACTERISTICS:**
 - 2-1. INSERTION FORCE : 1.0~4.0 kgf (INITIAL / AFTER LIFE TEST)
 - 2-2. WITHDRAWAL FORCE : 1.0~4.0 kgf(INITIAL / AFTER LIFE TEST)
 3. TEMPERATURE RISE CAN'T EXCEED 30°C
 4. LIFE TEST: 8,000 CYCLES MIN.
 5. WEIGHT : 6.6 g (REF.)
 6. TO CONFORM TO SINGATRON HAZARDOUS SUBSTANCE FREE SPEC.
 7. HALOGEN FREE PRODUCT IDENTIFICATION MARK ON JACK: Ⓢ
 8. HALOGEN FREE PRODUCT IDENTIFICATION LABEL ON PACKAGING: Ⓢ
 9. FOR REFLOW SOLDERING LEAD-FREE PROCESS.
 10. PRINTED DATE CODE "Y M D" ON TOP OF CONNECTOR.

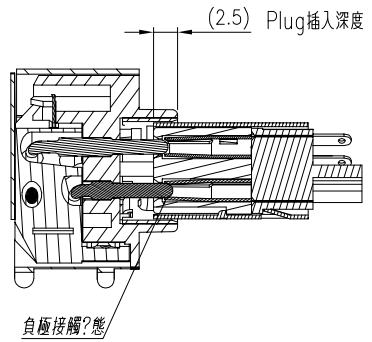


ITEM	DESCRIPTION	QTY	MATERIAL	PLATING & COLOR
G	SIGNAL	1	PHOSPHOR BRONZE(C5210-EH)	Sn 40-90u"on Solder tail,40-120u"over Nickel Plated.
F	SHIELDING	1	BRASS (C2680-H)	NI PLATING.
E	CONTACT PIN (-)	2	BRASS BAR (HBI59-1.5B)	Au 1~3u",Ni 50u"Min.
D	CONTACT PIN (+)	2	BRASS BAR (HBI59-1.5B)	Au 1~3u",Ni 50u"Min.
C	EARTH SHIELD	1	BRASS (C2680-H)	Ni 60u"MIN.
B	COVER	1	PA10T-30%GF UL94V-0	RED COLOR(186C)
A	BODY	1	PA10T-30%GF UL94V-0	RED COLOR(186C)
UNLESS OTHERWISE SPECIFIED TOLERANCES		Singatron Enterprise Co., Ltd. 信音企業股份有限公司		
DECIMALS: ANGLES:		TITLE: 4P SOCKET		
X : ±0.5	X : ±2°	DWN	Shunzhong Yu PART NO. 2MJ-3432-012F	
X.X : ±0.3	X.X : ±1'	CHKD	Stone Zhu	SCALE 2:1 UNIT: mm
X.XX : ±0.2		APVD	Jim Deng	SIZE: A3 SHEET:1 OF 2 REV: B
CUSTOMER COPY				

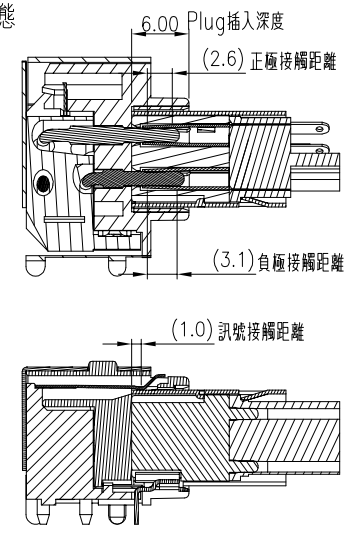
1 2 3 4 5 6 7 8

REV.	ECN NO OR DESCRIPTION	REVISED	DATE
A	PRODUCT RELEASE	CHEN	2015.12.08
B	ECN NO.C202007-R05	SHUNZHONG	2020.09.07

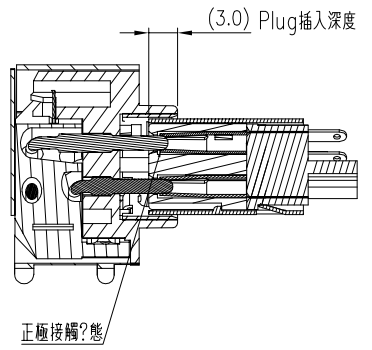
1. 負極接觸?態



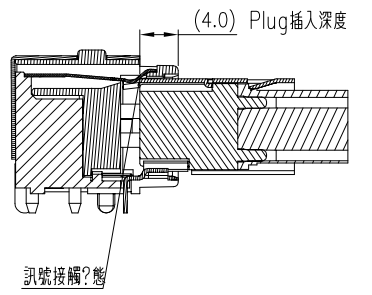
4. plug 插到底?態




2. 正極接觸?態



3. 訊號接觸?態



UNLESS OTHERWISE SPECIFIED TOLERANCES		 Singatron Enterprise Co., Ltd. 信音企業股份有限公司	
DECIMALS:	ANGLES:	TITLE	4P SOCKET_MATING DRAWING
X :±0.5	X :±2°	DWN	Shunzhong Yuan PART NO. 2MJ-3432-012F
X.X :±0.3	X.X :±1°	CHKD	Stone Zhu SCALE 2:1 UNIT: mm
X.XX :±0.2		APVD	Jim Deng SIZE: A3 SHEET:2 OF 2 REV: B
CUSTOMER COPY			

1 2 3 4 5 6 7 8