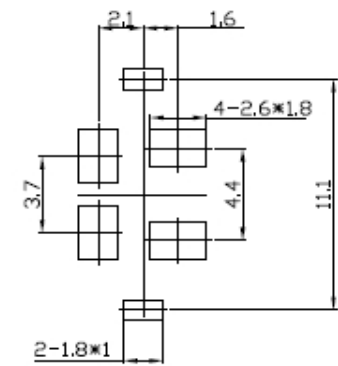
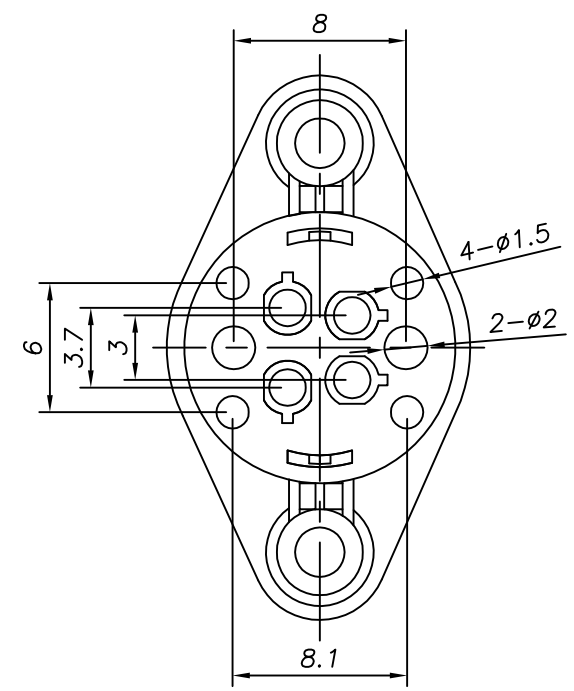
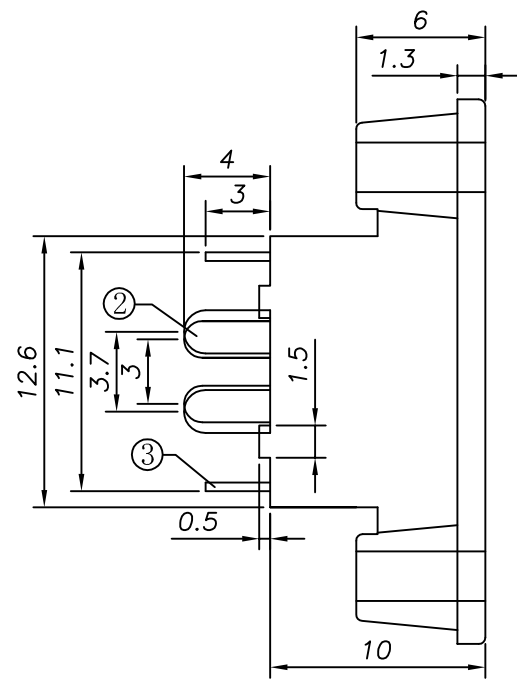
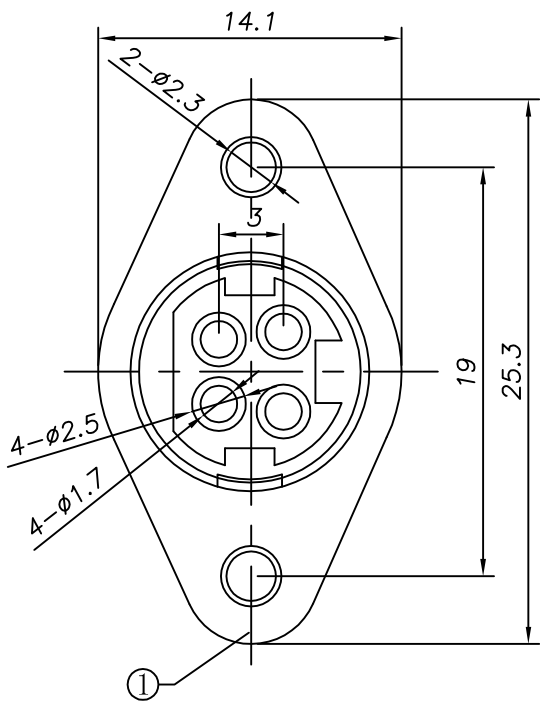


1 2 3 4 5 6 7 8

F
E
D
C
B
A

F
E
D
C
B
A



PCB LAYOUT

UNLESS OTHERWISE SPECIFIED, TOLERANCE ON DECIMAL: ±0.3

LEAD FREE

3	GROUND CONTACT	1	C2680	Cu/Sn	PLATED
2	TERMINAL	4	C5191	Cu/Sn	PLATED
1	HOUSING	1	PA66	BLACK	
LTR	PART NAME	QTY	MATERIAL	REMARK	

Singatron Enterprise Co., Ltd.

TITLE	DC JACK				
DWN	UNY 2013.08.19	PART NO.	2MJ-DC-024		
CHKD	ANDY	SCALE	1:1	UNIT:	mm
APVD	JON	SIZE:	A3	SHEET:	1 OF 1
					REV: A

CUSTOMER COPY

1 2 3 4 5 6 7 8