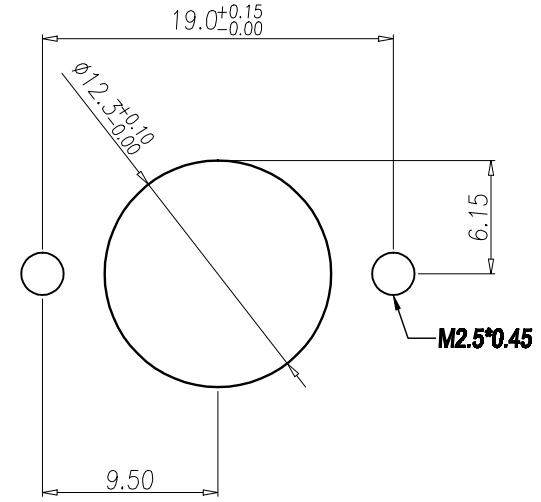
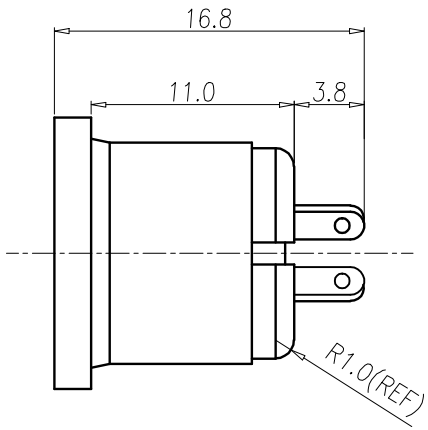
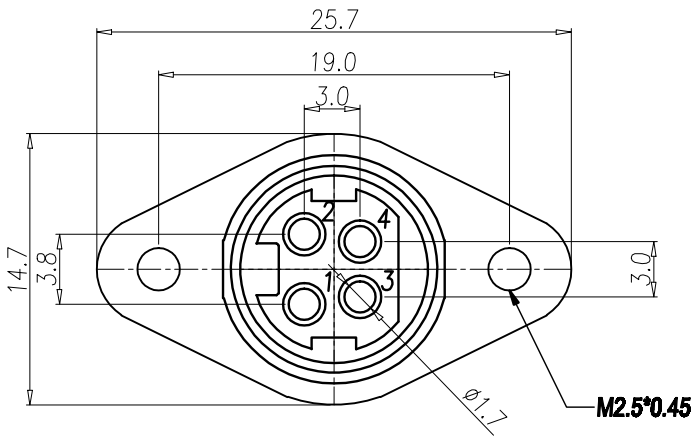
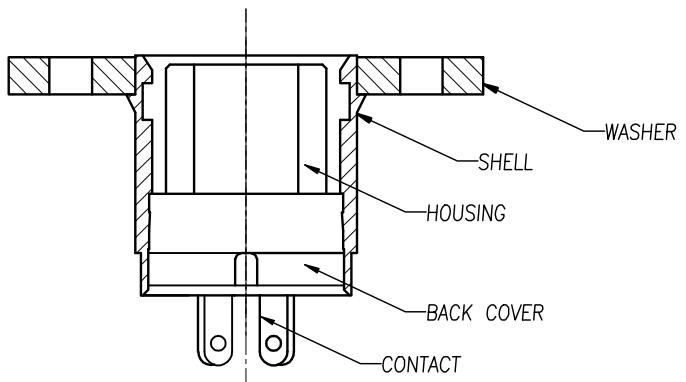


1 2 3 4 5 6 7 8

REV.	DESCRIPTION	APPL. BY	DATE	ECN NO.
A	RELEASE	Fido Weng	13/04/09*	ECN09083
B	ADD PANEL CUT-OUT	Fido Weng	20/07/20*	ECN200720
C				



RECOMMEND PANEL CUT-OUT



- NOTE:
- MATERIAL:
    - 1-1. HOUSING : PBT UL94V-0 ; COLOR : BLACK
    - 1-2. CONTACT : PHOSPHOR BRONZE
    - 1-3. SHELL : BRASS
    - 1-4. BACK COVER : PBT UL94V-0 ; COLOR : BLACK
    - 1-5. WASHER : BRASS
  - PLATING:
    - 2-1. CONTACT : TIN PLATED 60u" OVER NICKEL
    - 2-2. SHELL : NICKEL PLATED 60u" ~ 100u" OVER ALL
  - ELETRICAL SPECIFICATION :
    - 3-1. RATED CURRENT : 7.5A/DC MAX
    - 3-2. RATED VOLTAGE : 25V/DC MAX
  - ENVIRONMENTAL :
    - 4-1. OPERATION TEMPERATURE : -20 °C~85°C

Singatron Enterprise Co., Ltd.				
TITLE	POWER DIN 4(F) SOCKET (Rotate 90°)			
DWN	Ku Chou	PART NO.	2MJ-P04F2-12	
CHKD	Emily Suen	SCALE	1:1	UNIT: mm
APVD	Fido Weng	SIZE	A3	SHEET: 1 OF 1
				REV: B
CUSTOMER COPY				

TOLERANCE	
.x	±0.20
.xx	±0.15
.xxx	±0.10
.xxxx	±0.05
ANGULA	±1°

1 2 3 4 5 6 7 8