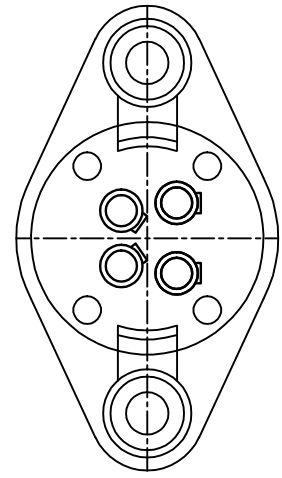
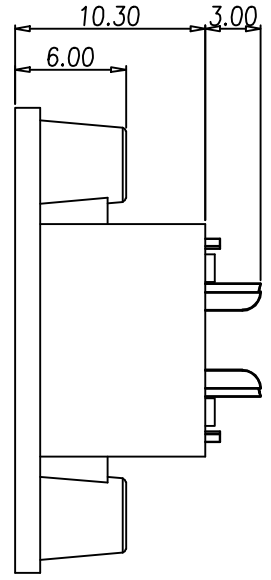
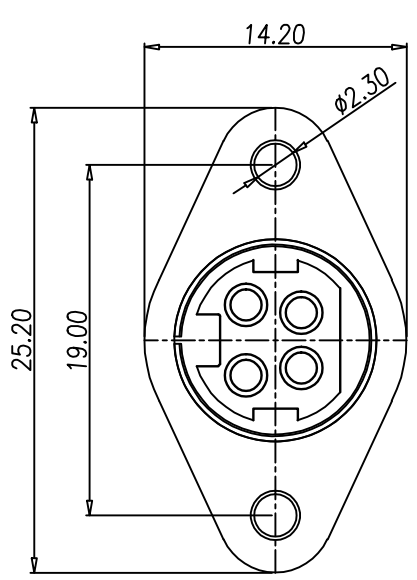
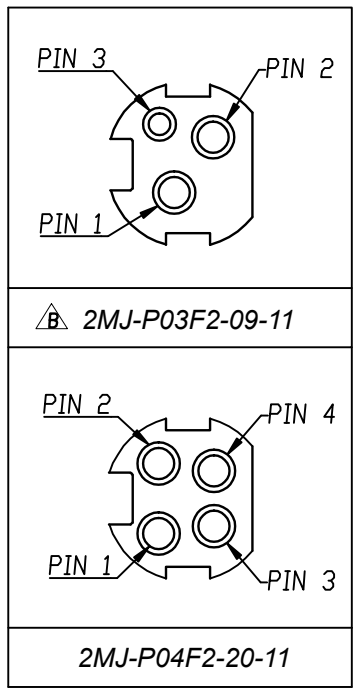


REV.	DESCRIPTION	APPL. BY	DATE	ECN NO.
A	RELEASE	Fido Weng	13/04/09"	
B	ADD PART No.	Yeh Chou	20/06/19"	
C				

TABLE A



NOTE:

- 1.MATERIAL:
 1-1. HOUSING : PBT UL94V-0 ; COLOR : BLACK
 1-2. CONTACT : PHOSPHOR BRONZE
 1-3. SHELL : BRASS
- 2.PLATING:
 2-1. CONTACT : TIN PLATED 60u" OVER NICKEL
 2-2. SHELL : NICKEL PLATED 60u" ~ 100u" OVER ALL

- 3.ELETRICAL SPECICATION :
 3-1. RATED CURRENT : 7.5A/DC MAX
 3-2. RATED VOLTAGE : 25V DC MAX
4. ENVIRONMENTAL :
 4-1. OPERATION TEMPERATURE : -20 °C~85°C

Singatron Enterprise Co., Ltd.				
TITLE	POWER DIN 4(F) SOCKET (Rotate 180°) 全線圖			
DWN	Ku Chou	PART NO.	2MJ-P0xF2-xx-11	
CHKD	Emily Suen	SCALE	1:1	UNIT: mm
APVD	Fido Weng	SIZE	A3	SHEET:1 OF 1 REV: A
CUSTOMER COPY				

TOLERANCE	
.x	±0.20
.xx	±0.15
.xxx	±0.10
.xxxx	±0.05
ANGULA	±1'