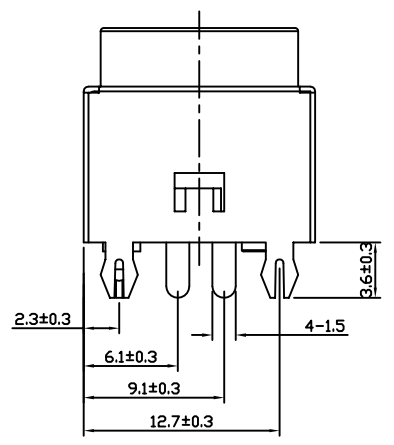
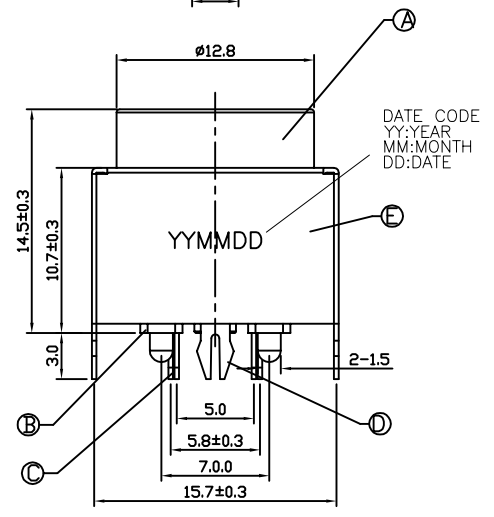
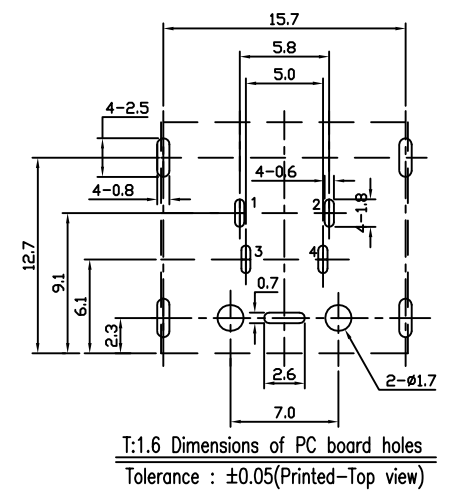
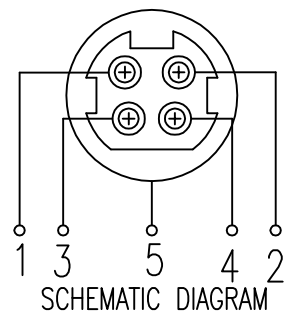
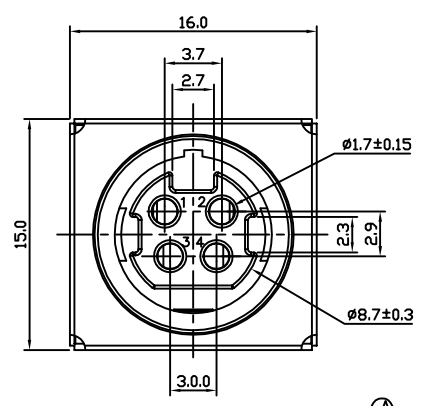
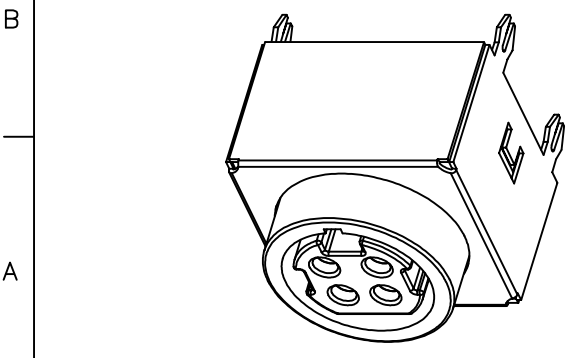


REV.	ECN NO OR DESCRIPTION	REVISED	DATE
A	PDR RELEASE	IVY-C	2015.12.02



**SPECIFICATIONS:**

1. TO CONFORM TO THE SINGATRON HAZARDOUS SUBSTANCE FREE SPEC.
2. HALOGEN FREE PRODUCT IDENTIFICATION LABEL ON PACKAGING:
3. PACKAGE: SEE "2MJ1512-000111F" PACKAGE.
4. FOR WAVE SOLDERING LEAD-FREE PROCESS.
5. OTHER GENERAL SPEC. TO REFER "2MJ1512-000111F SPEC"



**PART NO.**  
**2MJ1512-000111F**

CONTACT PLATING 1. Ag

SUFFIX: HALOGEN FREE

PACKAGE 1: Tray

HOUSING COLOR 1: BLACK

NO	DESCRIPTION	QTY	MATERIAL	PLATING & COLOR
E	SHELL	1	SPCC 0.4t	CuSn Plating
D	GROUND CONTACT	1	BRASS 0.4t	CuSn Plating
C	TERMINAL	4	BRASS 0.3t	Ag Plating
B	COVER	1	PBT UL 94V-0	BLACK
A	HOUSING	1	PBT UL 94V-0	BLACK

UNLESS OTHERWISE SPECIFIED TOLERANCES		Singatron Enterprise Co., Ltd. 信音企業股份有限公司		
DECIMALS:	ANGLES:	TITLE	MINI DIN VERTICAL TYPE	
X : $\pm 0.5$	X : $\pm 2^\circ$	DWN	MY-C 2015.12.02 <b>PART NO. 2MJ1512-000111F</b>	
X.X : $\pm 0.3$	X.X : $\pm 1^\circ$	CHKD	ANGELA2015.12.02	SCALE 1:1 UNIT: mm
X.XX : $\pm 0.2$		APVD	ANGELA2015.12.02	SIZE: A3 SHEET: 1 OF 1 REV: A
<b>CUSTOMER COPY</b>				