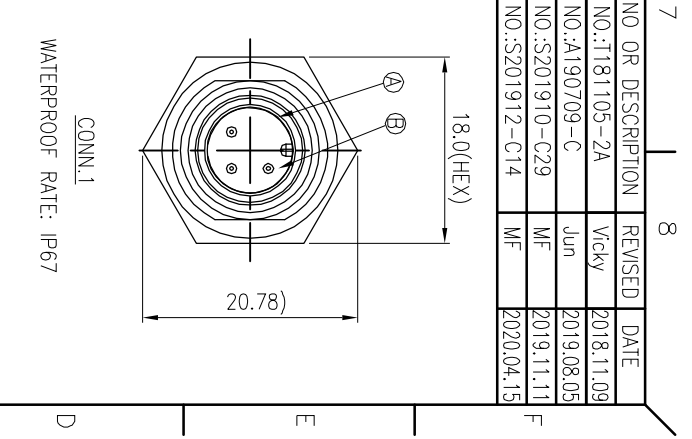
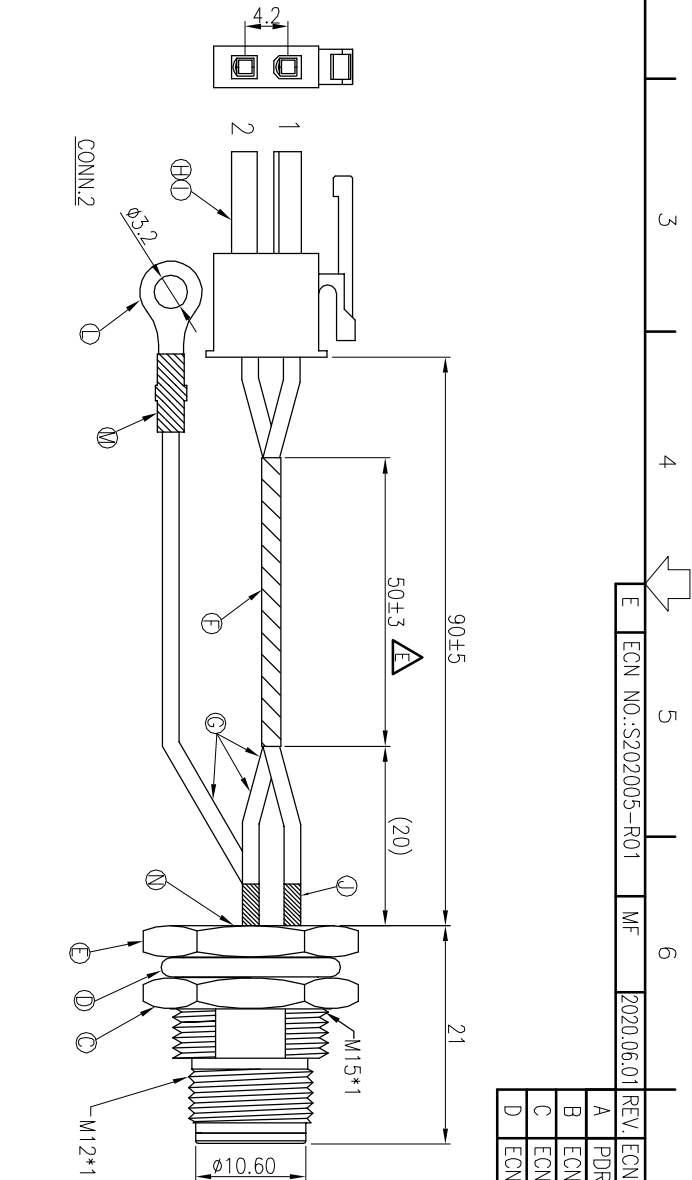
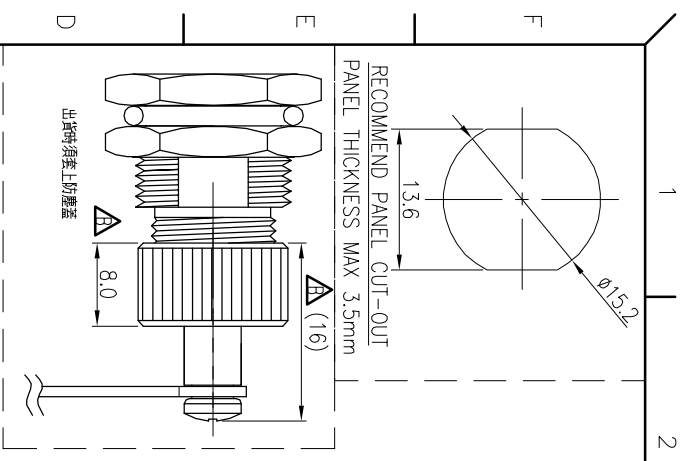


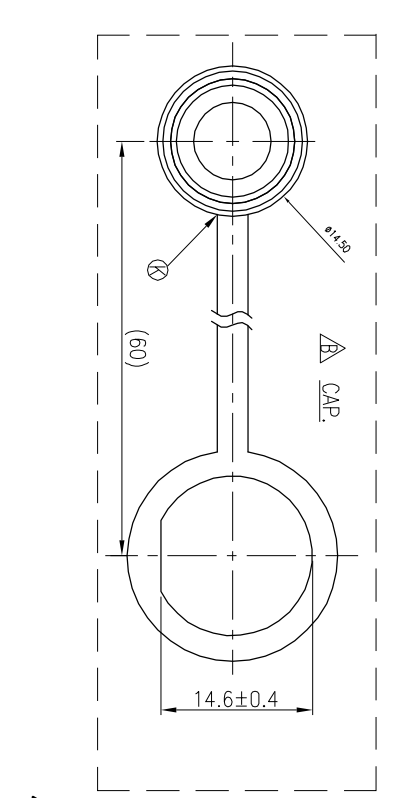
REV	ECN NO.	OR DESCRIPTION	REVISED	DATE
A	PDR NO.:T181105-2A	Wcky	2018.11.09	
B	ECN NO.:A190709-C	Jun	2019.08.05	
C	ECN NO.:S201910-C29	MF	2019.11.11	
D	ECN NO.:S201912-C14	MF	2020.04.15	

ECN NO.:S202005-R01

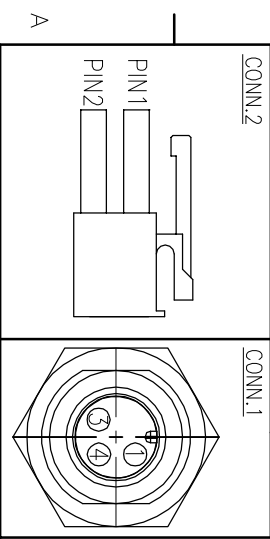
MF 2020.06.01



CONN.2	WIRE COLOR	CONN.1
1	BLACK	4
2	RED	3
3	GREEN	1



NO	DESCRIPTION	QTY	MATERIAL	PLATING & COLOR
A	MALE PIN	3	BRASS	6u" GOLD PLATING OVER NICKEL PLATING
B	BODY	1	PA66+GF	N/A
C	NUT	1	BRASS	NICKEL PLATING 60u"
D	O-RING	1	SILICONE	BLACK
E	SHIELD	1	BRASS	NICKEL PLATING 60u"
F	HEAT SHRINK TUBE	1	Ø3 125°C 300V,L=50	BLACK
G	WIRE	3	UL 1007 20AWG	SEE "WIRE COLOR"
H	TERMINAL	2	TY4281TPH-A-DH	TIN PLATED
I	HOUSING	1	TYU 4281HNO-2*01	WHITE
J	HEAT SHRINK TUBE	3	Ø2.0 125°C 300V,L=10	BLACK
K	CAP	1	N/A	N/A
L	TERMINAL	1	R3204	TIN PLATED
M	HEAT SHRINK TUBE	1	Ø3 125°C 300V,L=10	TIN PLATED
N	LIQUID GLUE	1	N/A	BLACK



NOTES:
 1. WATERPROOF RATE: IP67
 2. ELECTRICAL CHARACTERISTICS
 TEMPERATURE RANGE: -20°C TO +80°C
 RATING: 60V AC/DC 5A
 DIELECTRIC WITHSTANDING VOLTAGE: 500V AC FOR ONE MINUTE
 3. SPECIFICATIONS:SEE "M12 SERIES SPECIFICATIONS".
 4. TO CONFORM TO SINGATRON HAZARDOUS SUBSTANCE FREE SPEC.
 5. GREEN PRODUCT IDENTIFICATION LABEL ON PACKAGING: **GR-7488**
 6. FOR PANEL THICKNESS MAX OF 4.5mm

DECIMALS:	ANGLES:
X :±0.5	X :±2°
XX :±0.3	XX :±1'
XXX :±0.2	

Pin Assignments

Front View

1 2 3 4 5 6 7 8

信登企業股份有限公司
 Singatron Enterprise Co., Ltd.

TITLE M12 SERIES FRONT MOUNT MALE CONN. (3PIN)

DWN MF PART NO.2MT3003-W03305H

CHKD Cerry SCALE 2:1 UNIT: mm

APVD William SIZE: A3 SHEET:1 OF 1 REV: E

CUSTOMER COPY

文件編號: 06-043-A