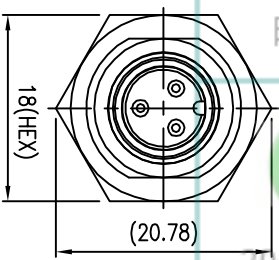
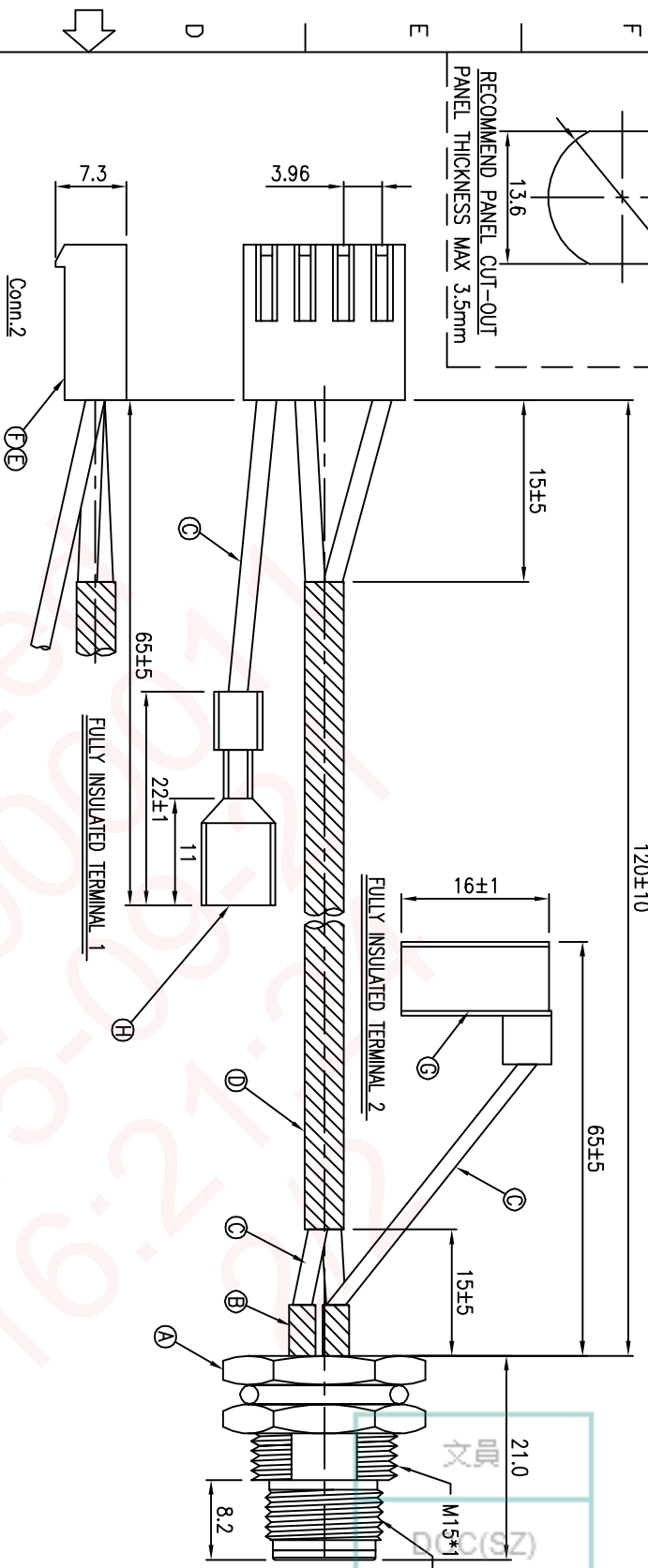
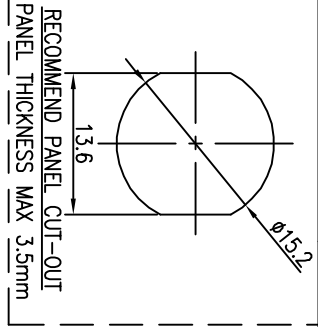
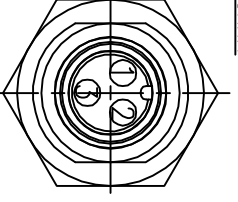
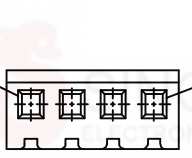


REV.	ECN NO.	OR DESCRIPTION	REVISED	DATE
A	PDR NO.:T141209-2A	JF		2015.09.17



Conn.1
WATERPROOF RATE: IP67

TERMINAL 1	RED	1	1
		3	3
		4	4
TERMINAL 2	RED	2	2
		1	1
TERMINAL WIRE COLOR	CONN.2 WIRE COLOR	CONN.1	



- NOTES:
- ELECTRICAL CHARACTERISTICS:
 - 1-1 CURRENT RATING: 10 AMPS.
 - 1-2 CONTACT RESISTANCE: 30 mOhm Max.
 - 1-3 INSULATION RESISTANCE: 100 MOhm Min. at 500VDC.
 - 1-4 BREAKDOWN VOLTAGE: 500 VAC PER MINUTE.
 - MECHANICAL CHARACTERISTICS: TIGHTENING TORQUES: 0.8~1.0Nm (7.08~8.85lbf.in.).
 - ENVIRONMENTAL:
 - 3-1 OPERATING TEMPERATURE: -20°C TO +80°C.
 - 3-2 SEALING REQUIREMENTS: IP67.
 - 4. LIFE TEST: 1,000 CYCLES MIN.
 - OTHER GENERAL SPEC. TO REFER "M12 SERIES SPEC.," FOR TECHNICAL DATA REFER TO YOUR LOCAL SINGATRON ELECTRONICS SALES OFFICE.
 - ALL DIMENSIONS ARE NOMINAL FOR REFERENCE ONLY UNLESS OTHERWISE STATED.
 - TO CONFORM TO SINGATRON HAZARDOUS SUBSTANCE FREE SPEC.
 - GREEN PRODUCT IDENTIFICATION LABEL ON PACKAGING:

H	INSULATED TERMINAL 2	1	BRASS(180°)	RED
G	INSULATED TERMINAL 1	1	BRASS(90°)	RED
F	TERMINAL	3	BRASS	TIN-PLATED
E	HOUSING	1	NYLON 66 94V-0	WHITE
D	HEAT SHRINK TUBE	1	φ5 125°C 300V	BLACK
C	WIRE	4	UL1015 18AWG	SEE PIN OUT
B	HEAT SHRINK TUBE	3	φ3 125°C 300V	BLACK
A	PANEL CONN.	1	M12 CONN. 3PIN 10A	N/A
NO	DESCRIPTION	QTY	MATERIAL	PLATING & COLOR

UNLESS OTHERWISE SPECIFIED TOLERANCES

Singatron Enterprise Co., Ltd.
信登企業股份有限公司

TITLE	M12 SERIES FRONT MOUNT MALE CONN. (3PIN)
DWN	JF
CHKD	Yang
APVD	Harlen
PART NO.	2MT3003-W03401H
SCALE	2:1
UNIT	mm
SIZE	A3
SHEET	1 OF 1
REV	A

CUSTOMER COPY